

Flanged connection, Upper stainless steel with corrosion resistant plastic

Model : DIF-SSP

Feature of product

- Flange with internal, all welded diaphragm
- Chemical process and petrochemical industry
- Suitable for corrosive, highly viscous, crystallizing or hot pressure media



Product specification

Process connection

ASME / JIS 10K 25A FF
(Others on request)

Material of wetted parts

Upper: Stainless steel 316
Lower: PVC
(Others on request)

Suitable pressure range

Metal diaphragm

1/2" ~ 1" : 2.5...25 bar

1-1/2" ~ 4" : -1...25 bar

PTFE diaphragm

1/2" ~ 4" : -1...25 bar

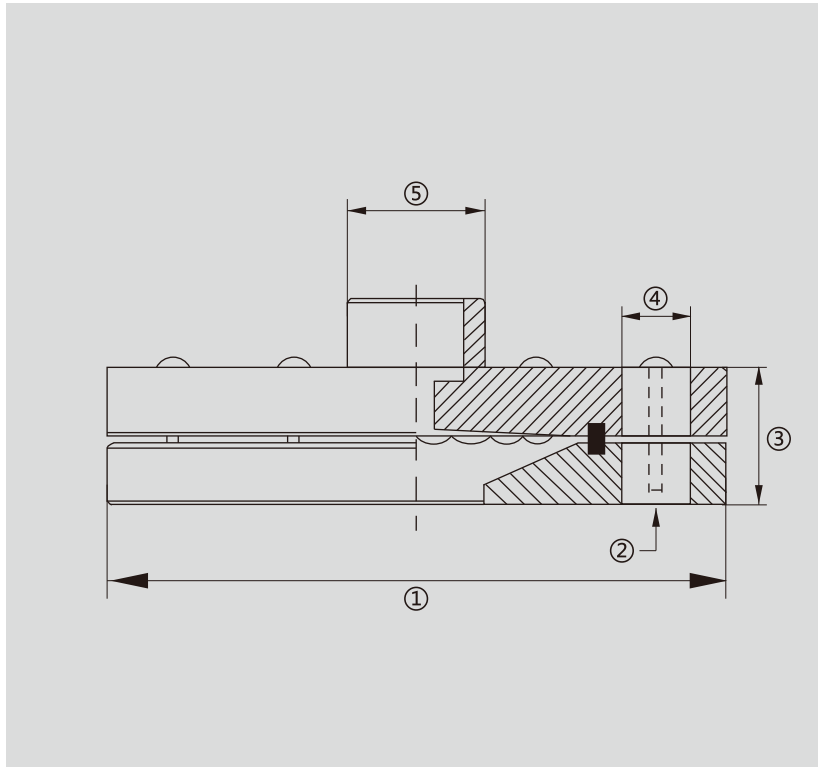
Transmitter

1/2" ~ 4" : 0...4000 mmH₂O ~ -1...25 bar

Plastic heat-resistant temperature range

LT 0°C... 80°C (PVC / PP)

Dimensions



Codes for custom order configurations

Ex :	DIF-SSP -	4	JIS	304	PVC	PTF	LT	N
Connection		4						
4	-	1/2"						
6	-	3/4"						
8	-	1"						
10	-	1-1/4"						
12	-	1-1/2"						
16	-	2"						
24	-	3"						
32	-	4"						
Standard			JIS					
JIS	-	JIS 10K FF						
ANSI	-	ANSI 150LB RF						
DIN	-	DIN PN10						
OTH	-	Other						
Material(Upper)				304				
304	-	304SS						
316	-	316SS						
316L	-	316L						
Material(Lower)					PVC			
PVC	-	PVC						
PP	-	PP						
PTFE	-	PTFE						
PVDF	-	PVDF						
HSC	-	Hastelloy C276						
Diaphragm						PTF		
PTF	-	PTF						
HSC	-	Hastelloy C276						
TTL	-	Tantalum						
MON	-	Monel 400						
TIM	-	Titanium						
NIC	-	Nickel 200						
Temperature							LT	
LT	-	0°C...80°C						
120	-	-80°C...120°C						
FO	-	Fluorinated oil						
Capillary								N
Y1~20	-	Y1=1m , Y20=20m						
N	-	No						

For any changes to the specifications of this catalogue , the latest version shall prevail.
Copyright © 11/2019 by SIN JIA ENTERPRISE COMPANY LIMITED. All rights reserved.

SIN JIA ENTERPRISE COMPANY LIMITED

TEL:+886-2-2550-4512

FAX:+886-2-2550-4510

info@sinjiagauge.com

www.sj-gauge.com

No.3, Ln. 71, Chifeng St., Datong Dist., Taipei City 103, Taiwan

