

LED digital sensor

Model : PRD2

Feature of product

- Measuring range: -1~250 bar
- 7 pressure units selectable
- Max. & Min. hold function available, analog output (16 bit) output optional



Product specification

Accuracy

0.25% F.S.

Thread size

1/4" PT, 1/4" NPT or others

Zero adjustment

0~±999

Proof pressure

Maximum 2x rated (< 60Bar)

Maximum 1.5x rated (> 60Bar)

3x rated (< 60Bar) / 1.8x rated (> 60Bar)

Sampling cycle

0.1~9.9s can be modified

Display of pressure values

-19999~99999 digit

Output response time

50ms(0%~90%)

Transmission speed

<50ms(0%~90%)



Product specification

Thermal effect

$\pm 0.05\% \text{F.S.}/10^\circ\text{C}$

Display screen

Bright red LED high 10.16mm(0.4")

Sensing material

Ceramic A1203-96%

Analog output resolution

16 bit DAC

Zero points thermal effect

$\pm 0.05\% \text{F.S.}/10^\circ\text{C}$

Seal material

NBR<16Bar / PVDF>16Bar

Power supply

DC10~28V(O/P=4~20mA(3-wire)/1~5V
DC14~28V(O/P=4~20mA(2-wire)/0~10V

Storage temperature

$-30^\circ\text{C} \sim 80^\circ\text{C}$

Output capability

$< [(V_s - 12\text{V})/0.02\text{A}] \Omega$ (Current 2-wire)
 $< [(V_s - 8\text{V})/0.02\text{A}] \Omega$ (Current 3-wire)
 $> 1\text{K}\Omega$ (Voltage 3-wire)

Back up memory

Non-volatile E2 PROM memory

Thread material

Stainless steel 1.4401(SUS316)

Output ripple

$< 0.1\% \text{F.S.}$

Longtime stability

$\pm 0.1\% \text{F.S./year}$ (<60Bar)
 $\pm 0.15\% \text{F.S./year}$ (>60Bar)

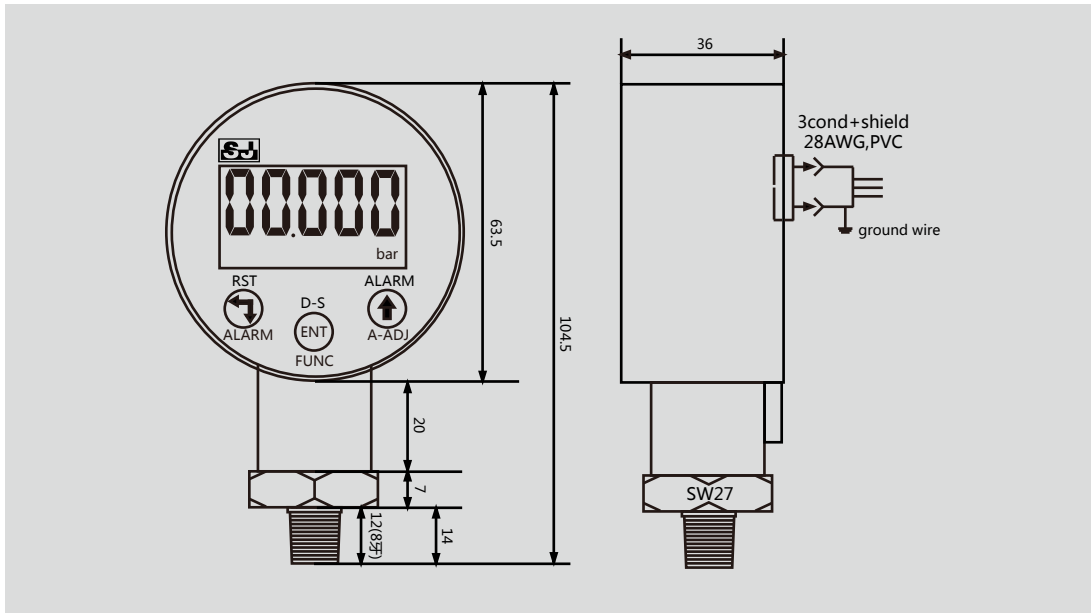
Housing material

FR-PET(UL94-VO)

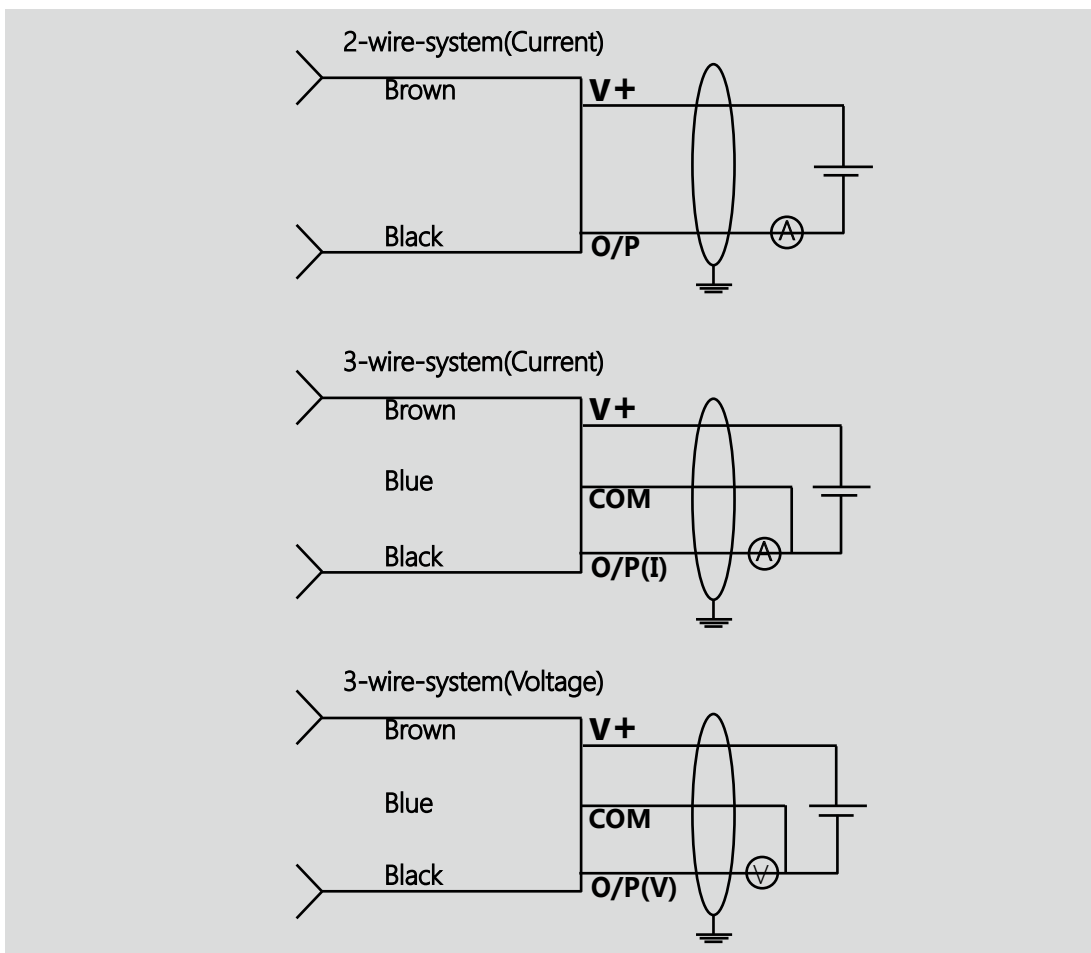
Operating temperature

$-10^\circ\text{C} \sim 60^\circ\text{C}$

Dimensions



Unit:mm



Codes for custom order configurations

EX: PRD2- 10B 2W 2PT 2M N +A

Input range

2B - -1~2bar

10B - -1~10bar 10B

50B - -1~50bar

200B - 0~200bar

Analog output

2W - DC4~20mA(2-wire-system) 2W

3W - DC4~20mA(3-wire-system)

5V - DC1~5V(3-wire-system)

10V - DC0~10V(3-wire-system)

OP3 - Option(3-wire-system)

N - None(need transformer)

Connection

2PT - 1/4" PT 2PT

2NPT - 1/4" NPT

OP - Option

Wire length

2M - 2M 2M

OP - Option

Option-transformer

10V - AC110V

20V - AC220V

N - None N

Additional order details

+A - None +A

+B - Additional order details

For any changes to the specifications of this catalogue , the latest version shall prevail.

Copyright © 12/2018 by SIN JIA ENTERPRISE COMPANY LIMITED. All rights reserved.

SIN JIA ENTERPRISE COMPANY LIMITED

TEL:+886-2-2550-4512

FAX:+886-2-2550-4510

info@sinjiagauge.com

www.sj-gauge.com

No.3, Ln. 71, Chifeng St., Datong Dist., Taipei City 103, Taiwan

