

## RS485 transmitter

Model : PRD3

## Feature of product

- Analog output (16 bit) / RS-485 output optional
- 2 alarms output available, the display screen color will be changed to red / green



## Product specification

**Accuracy**

0.25% F.S.

**Display range**

-19999~99999 digit

**Power supply**

DC14~30V

**Sampling cycle**

0.1~9.9s can be modified

**Proof pressure**

Maximum 2x rated (&lt; 60Bar)

Maximum 1.5x rated (&gt; 60Bar)

**Burst pressure**

3x rated (&lt; 160Bar)

1.8x rated (&gt; 250Bar)

**Alarm action**

HI/LO/GO/HL can be modified

**Relay contact**

AC250V-5A, DC30V-7A

**Photocouple contact**

AC250V-5A, DC30V-7A

**Analog output resolution**

16 bit DAC



## Product specification

**Output response time**

50ms(0~90%)

**Comm address**

"01" ~ "FF"(0~255)

**Communication**

Modbus RTU mode

**Long time stability**

±0.1%F.S./year(<60Bar)  
±0.15%F.S./year(>60Bar)

**Parameters setting**

Touch switches

**Sensing material**

Ceramic A1203-96%

**Seal material**

NBR<16Bar / PVDF>16Bar

**Operating temperature**

-10°C~60°C

**Output capability**

<10mA for voltage mode  
<10V for current mode

**Baud rate**

19200/9600/4800/2400 selective

**Thermal effect**

±0.05%F.S./10°C

**Display screen**

Bright red LEDS high 10.16mm(0.4")

**Back up memory**

Non-volatile E<sup>2</sup> PROM memory

**Thread material**

316SS

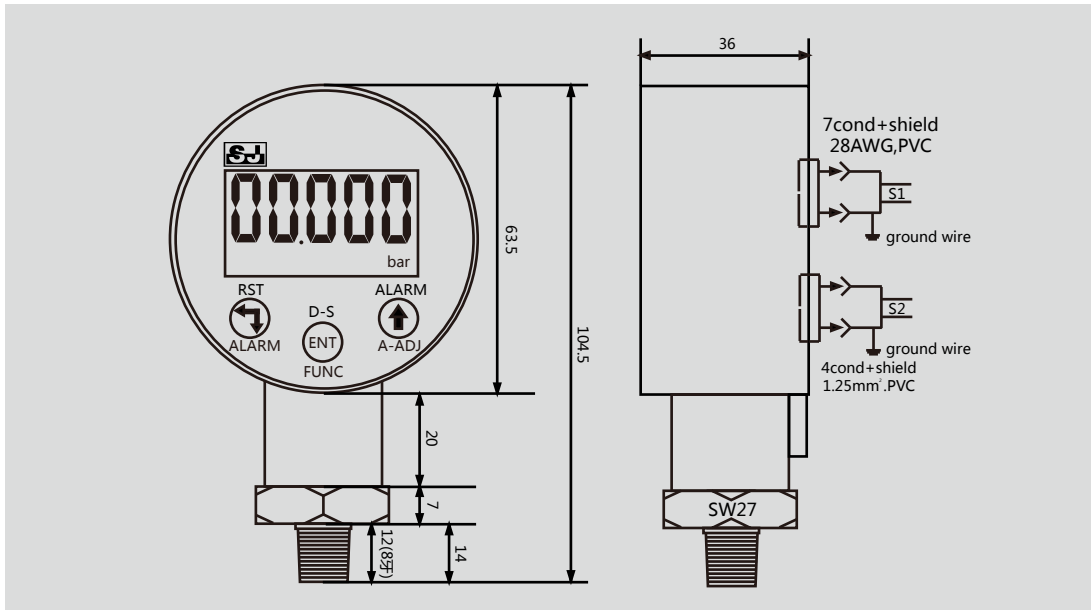
**Housing material**

(UL94V-0)  
NYEON66+PBT+15%GF

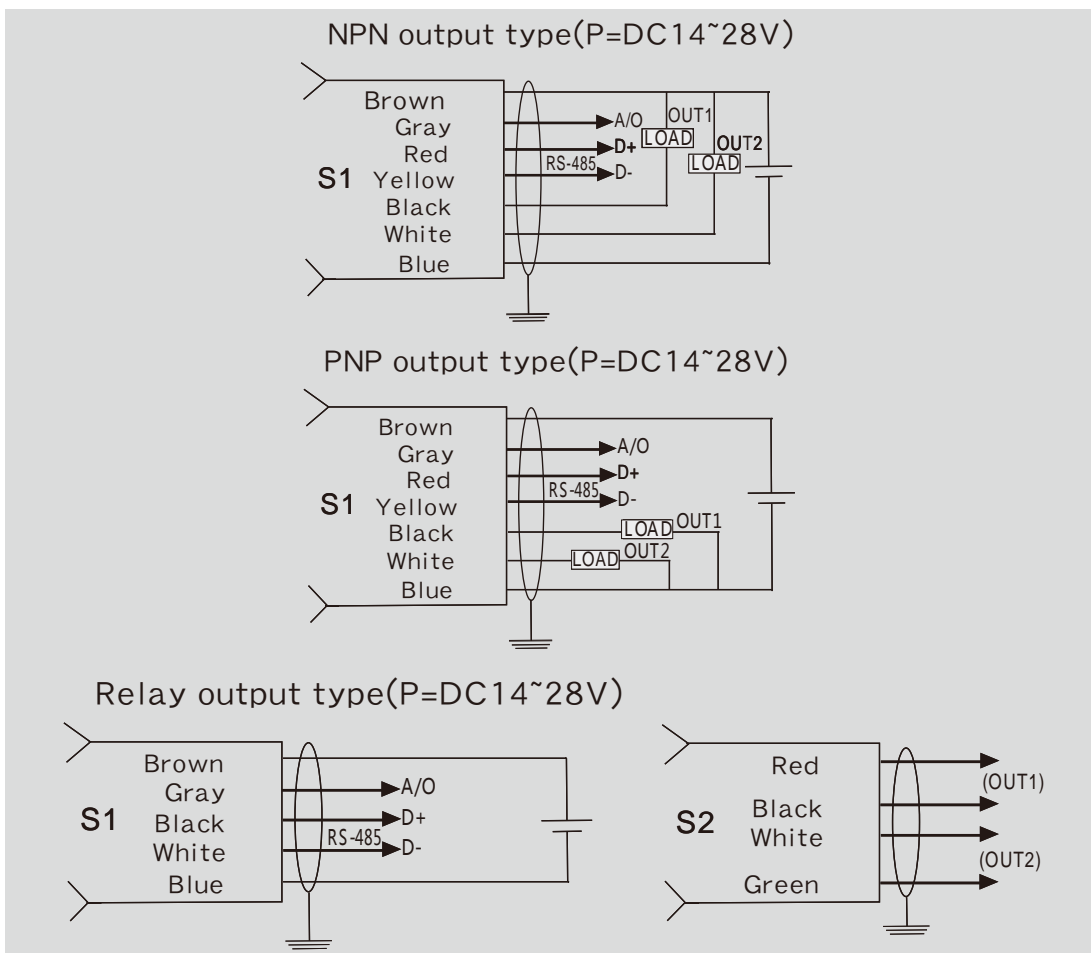
**Storage temperature**

-30°C~80°C

# Dimensions



Unit:mm



## Codes for custom order configurations

EX: PRD3- 10B NPN 4A 2M 2PT RS +A

### Input range

2B - -1~2bar

10B - -1~10bar 10B

50B - -1~50bar

200B - 0~200bar

### Alarm output

N - None

NPN - Two tr(NPN) NPN

PNP - Two tr(PNP)

TR - Two Relay

### Analog output

N - None

5V - DC1-5V

4A - DC4~20mA 4A

OP - Option

### Wire length

2M - 2M 2M

OP - Option

### Connection

2PT - 1/4" PT 2PT

2NP - 1/4" NPT

OP - Option

### RS-485

N - None

RS - RS-485 RS

### Additional order details

+A - None +A

+B - Additional order details

For any changes to the specifications of this catalogue , the latest version shall prevail.

Copyright © 12/2018 by SIN JIA ENTERPRISE COMPANY LIMITED. All rights reserved.

SIN JIA ENTERPRISE COMPANY LIMITED

TEL:+886-2-2550-4512

FAX:+886-2-2550-4510

info@sinjiagauge.com

www.sj-gauge.com

No.3, Ln. 71, Chifeng St., Datong Dist., Taipei City 103, Taiwan

