

Digital LCD display thermometer

Model : DTHD

Feature of product

- On-site temperature display
- Clear and easy to read 4-digit LCD display screen



Product specification

Nominal size

3", 4"

Measuring range

-50°C ~ 150°C

Material of connection and stem

304 stainless steel

Case

304 stainless steel

Stem length

1.5"~60"

Stem diameter

8, 9.5, 10, 12mm

Accuracy

±1%F.S.

Dial

4-digit LCD display

Ambient temperature

60°C

Thread size

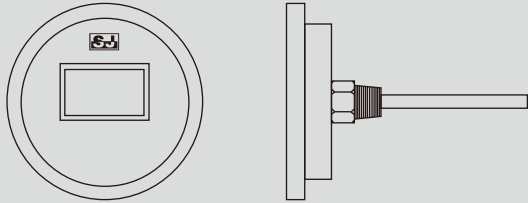
1/4", 1/2", 3/8", 3/4"

Thread type

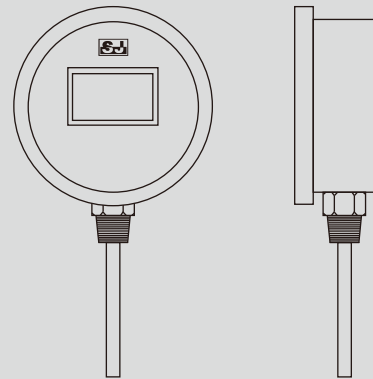
PT, NPT, PF

Type of mounting

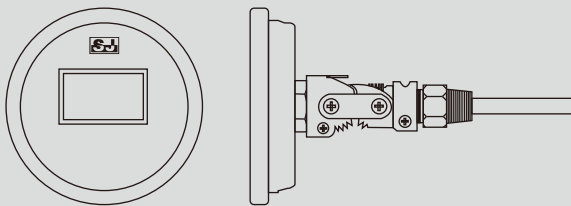
BL - Back mount



BS - Bottom mount



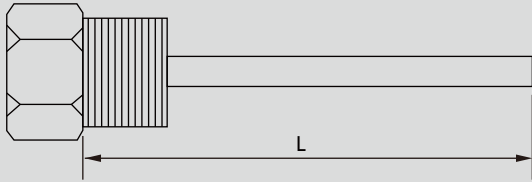
BA - Adjustable angle



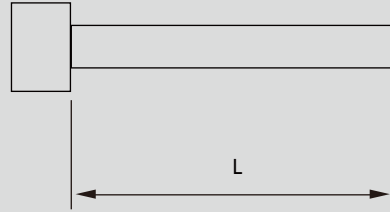
NS	Code		
	BS	BL	BA
3"	✓	✓	✓
4"	✓	✓	✓

Connection type

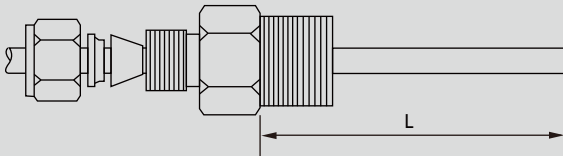
Male thread connection Code: MT



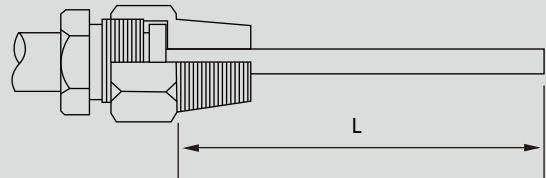
Plain stem Code: N



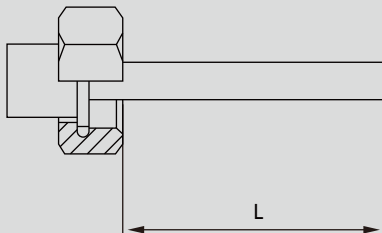
Compression fitting Code: CF



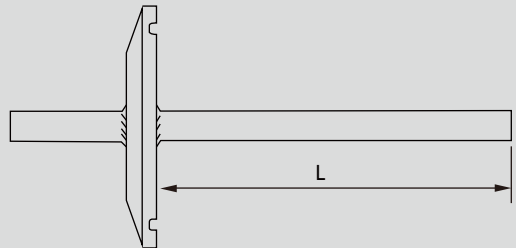
Loose threaded connection Code: LT



Union nut Code: UN

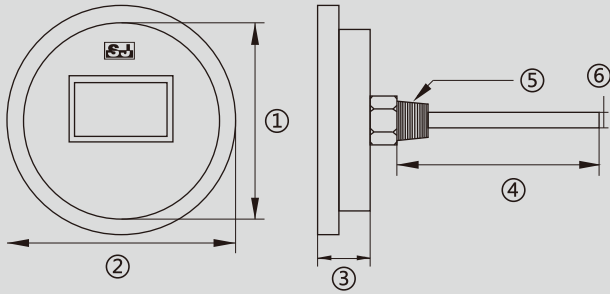


Tri-clamp Code: TC



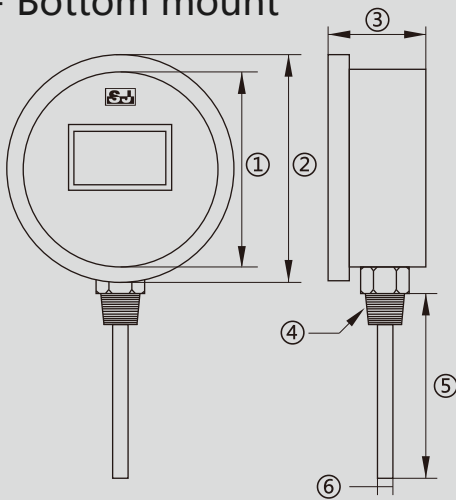
Dimensions

BL - Back mount



NS	Dimensions in mm					
	①	②	③	④	⑤	⑥
3"	72	84	29	150	1/2"PT	6.3
4"	102	119	29	150	1/2"PT	6.3

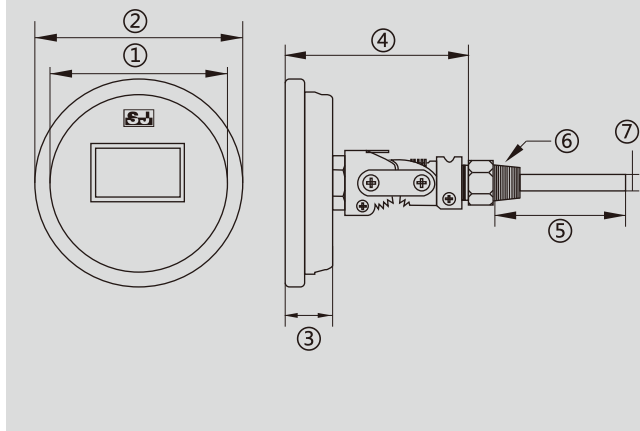
BS - Bottom mount



NS	Dimensions in mm					
	①	②	③	④	⑤	⑥
3"	70	85	47	1/2"PT	150	6.3
4"	102	119	48	1/2"PT	150	6.3

Dimensions

BA - Adjustable angle



NS	Dimensions in mm						
	①	②	③	④	⑤	⑥	⑦
3"	72	84	29	99	150	1/2"PT	6.3
4"	102	119	29	124	150	1/2"PT	6.3

Codes for custom order configurations

EX: DTHD- BL MT 3 2 PT 150mm 8mm +A

Type of mounting

BS - Bottom mount

BL - Back mount BL

BA - Adjustable angle

Connection type

MT- Male thread connection MT

N - Plain stem

CF - Compression fitting

LT - Loose threaded connection

UN - Union nut

TC - Tri-clamp

Nominal size

3 - 3" 3

4 - 4"

Thread size

2 - 1/4" 2

3 - 3/8"

4 - 1/2"

5 - 3/4"

Thread type

PT PT

NPT

PF

Stem length (with thread) 150mm

Stem diameter

8mm 8mm

9.5mm

10mm

12mm

Other demands

+A - None +A

+B - Additional order details

For any changes to the specifications of this catalogue , the latest version shall prevail.
Copyright © 01/2019 by SIN JIA ENTERPRISE COMPANY LIMITED. All rights reserved.

SIN JIA ENTERPRISE COMPANY LIMITED

TEL:+886-2-2550-4512

FAX:+886-2-2550-4510

info@sinjiagauge.com

www.sj-gauge.com

No.3, Ln. 71, Chifeng St., Datong Dist., Taipei City 103, Taiwan

