

# Bimetallic thermometer

Model : MTB

## Feature of product

- Stainless steel products, durable
- Place: dyeing industry, drying industry food industry steam boiler, air conditioning equipment, etc



## Product specification

### Nominal size

1", 1.5", 1.6", 2", 2.5"  
3", 4", 5", 6"

### Thread type

PT, PF, NPT

### Measuring range

-50°C~+600°C

### Material of connection and stem

304 stainless steel  
316 stainless steel can be customized

### Case

304 stainless steel

### Stem diameter

4, 5, 6, 6.3, 8, 9.5, 10, 12mm

### Thread size

1/8", 1/4", 3/8", 1/2", 3/4"  
1"

### Pointer

Black aluminum alloy sheet

### Accuracy

±1.0%

### Dial

Aluminum alloy sheet  
(single or double scale )

### Windows

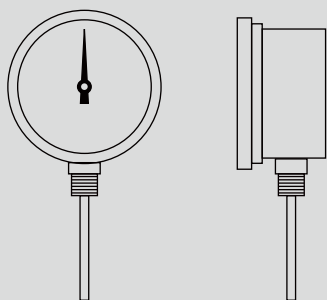
Glass

### Stem length

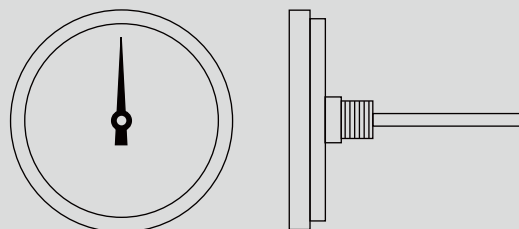
1.5"~60"

## Type of mounting

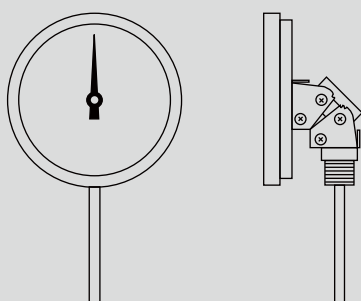
BS - Bottom mount



BL - Back mount



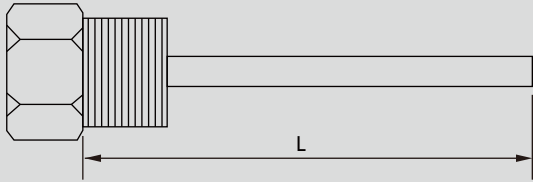
BA - Adjustable angle



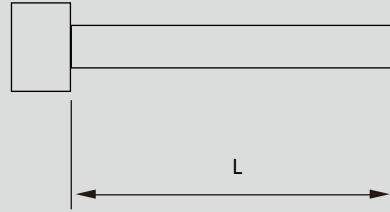
NS	Code		
	BS	BL	BA
1"	-	✓	-
1.5"	-	✓	-
1.6"	-	✓	-
2"	-	✓	✓
2.5"	✓	✓	✓
3"	✓	✓	✓
4"	✓	✓	✓
5"	✓	✓	✓
6"	✓	✓	✓

# Connection type

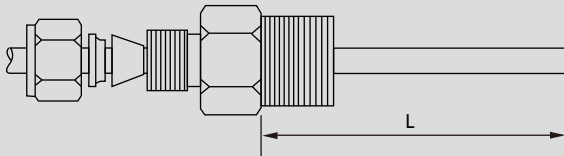
Male thread connection Code: MT



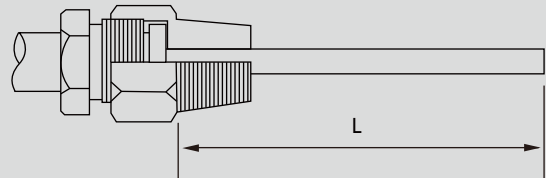
Plain stem Code: N



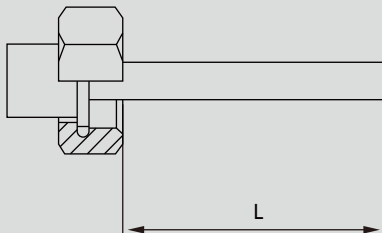
Compression fitting Code: CF



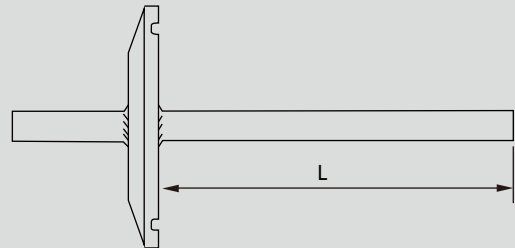
Loose threaded connection Code: LT



Union nut Code: UN

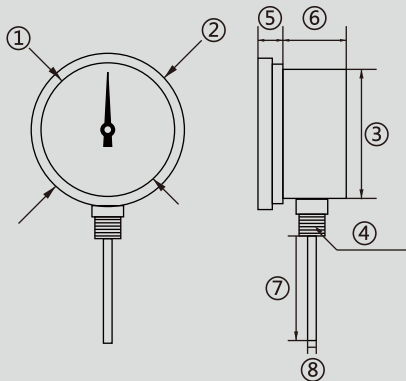


Tri-clamp Code: TC



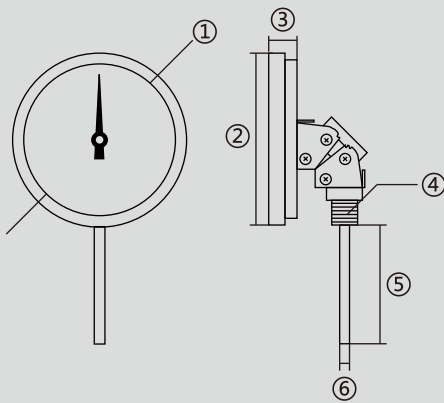
## Dimensions

### BS - Bottom mount



NS	Dimensions in mm							
	①	②	③	④	⑤	⑥	⑦	⑧
2.5"	56	69	63	1/4"PT	14	35	150	6.3
3"	70	84	75	1/4"PT	12	47	150	6.3
4"	98	115	101	1/4"PT	17	52	150	6.3
5"	113.5	130	117	1/2"PT	13.5	51	150	6.3
6"	140	160	148	1/2"PT	17	48	150	6.3

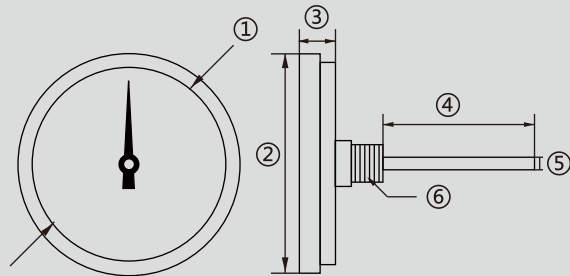
### BA - Adjustable angle



NS	Dimensions in mm					
	①	②	③	④	⑤	⑥
2"	44	51	11	1/4"PT	150	6.3
2.5"	55	65	18	1/4"PT	150	6.3
3"	70	80	17.5	1/4"PT	150	6.3
4"	101	118	21	1/2"PT	150	6.3
5"	113.5	130	21	1/2"PT	150	6.3
6"	140	160	25	1/2"PT	150	6.3

## Dimensions

### BL - Back mount



NS	Dimensions in mm					
	①	②	③	④	⑤	⑥
1"	22	26	9	150	4	1/8"PT
1.5"	26.5	35	11.5	150	4	1/8"PT
1.6"	32	40	12	150	4	1/8"PT
2"	44	51	11	150	6.3	1/4"PT
2.5"	55	65	18	150	6.3	1/4"PT
3"	70	80	20	150	6.3	1/4"PT
4"	101	118	21	150	6.3	1/2"PT
5"	113.5	130	21	150	6.3	1/2"PT
6"	140	160	25	150	6.3	1/2"PT

## Codes for custom order configurations

EX: MTB- BL MT 3 2 PT 100°C N 150mm 6.3 +A

### Type of mounting

BS - Bottom mount

BL - Back mount BL

BA - Adjustable angle

### Connection type

MT- Male thread connection MT

N - Plain stem

CF - Compression fitting

LT - Loose threaded connection

UN - Union nut

TC - Tri-clamp

### Nominal size

1 - 1"

1.5 - 1.5"

1.6 - 1.6"

2 - 2"

2.5 - 2.5"

3 - 3" 3

4 - 4"

5 - 5"

6 - 6"

### Thread size

1 - 1/8"

2 - 1/4" 2

3 - 3/8"

4 - 1/2"

5 - 3/4"

6 - 1"

### Thread type

PT PT

NPT

PF

### Temperature range (°C, °F)

100°C

### Whether to specify the unit

Y - Yes, specify the unit above

N - No, accept the other units N

### Stem length (with thread)

150mm

### Stem diameter

4mm

5mm

6mm

6.3mm 6.3

8mm

9.5mm

12mm

15mm

### Other demands

+A - None +A

+B - Additional order details

For any changes to the specifications of this catalogue , the latest version shall prevail.

Copyright © 01/2019 by SIN JIA ENTERPRISE COMPANY LIMITED. All rights reserved.

SIN JIA ENTERPRISE COMPANY LIMITED

TEL:+886-2-2550-4512

FAX:+886-2-2550-4510

info@sinjiagauge.com

www.sj-gauge.com

No.3, Ln. 71, Chifeng St., Datong Dist., Taipei City 103, Taiwan

