

Simple Digital Pressure Gauge

Model: PRD-TG

Feature of roduct

- High accuracy, silicon pressure sensor using micromechanical technology
- Highly convenient, easy-to-read digital LCD display
- Bargain price, long lasting



Product Specification

Nominal size

60mm

Monitor size

38.5*18.5mm

Display

3 1/2 digit LCD(with backlight)

Thread size

G1/4-19

Ambient temperature

-10°C~50°C

Installation

Bottom mount

Accuracy

±1%F.S.

Resolution

0.2%~0.5%F.S.

Burst pressure

1.6MPa

Permissible pressure

5~175psi

Weight

80g

Medium

Noncorrosive gas

Product Specification

Current

0.5mA

Power supply

AAA battery*2 (batteries need to be purchased separately)

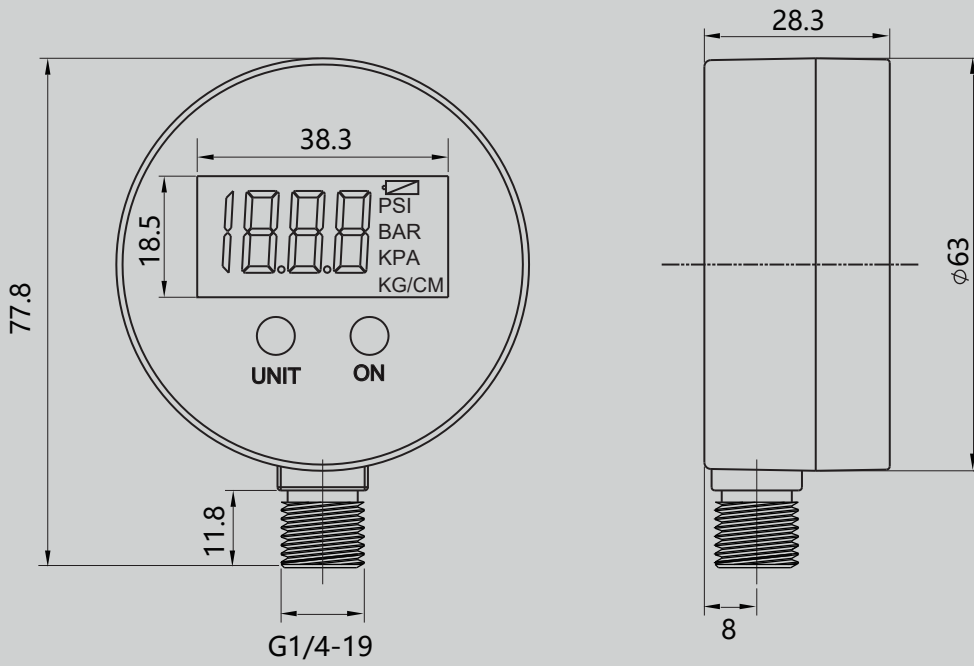
Pressure units

PSI、BAR、kPa、kgf/cm²

Other

Press the left button to boot, the default display time is 30 seconds

Dimensions



Unit:mm

For any changes to the specifications of this catalogue, the latest version shall prevail.

Copyright © 08/2020 by SIN JIA ENTERPRISE COMPANY LIMITED. All rights reserved.

SIN JIA ENTERPRISE COMPANY LIMITED

TEL:+886-2-2550-4512

FAX:+886-2-2550-4510

info@sinjiagauge.com

www.sj-gauge.com

No.3, Ln. 71, Chifeng St., Datong Dist., Taipei City 103, Taiwan

