

Bimetal Temperature Sensors

Model: DTHIT

Feature of product

- Can transmit signal and display on-site at the same time
- It has the advantages of durability of pointer thermometer and the function of thermocouple to transmit signal



Product specification

Nominal size

3"、4"、6"

Thread size

1/2"、3/4"

Thread type

PT、NPT

Measuring range

-50~600°C

Accuracy

±1%F.S.

Case

304stainless steel

Stem diameter

10、12mm

Stem material

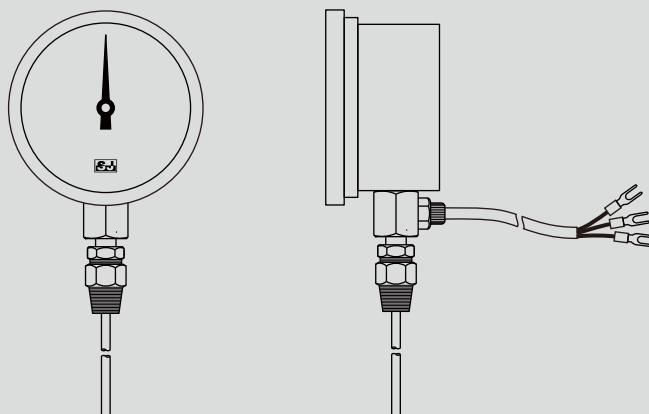
304SS、316SS

Output signal

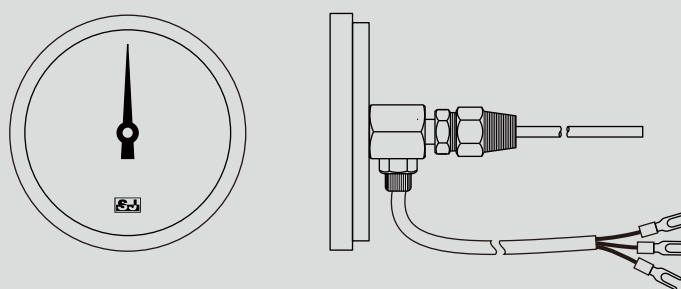
K-TYPE、PT100Ω、4~20mA

Type of mounting

Bottom mount code: BS



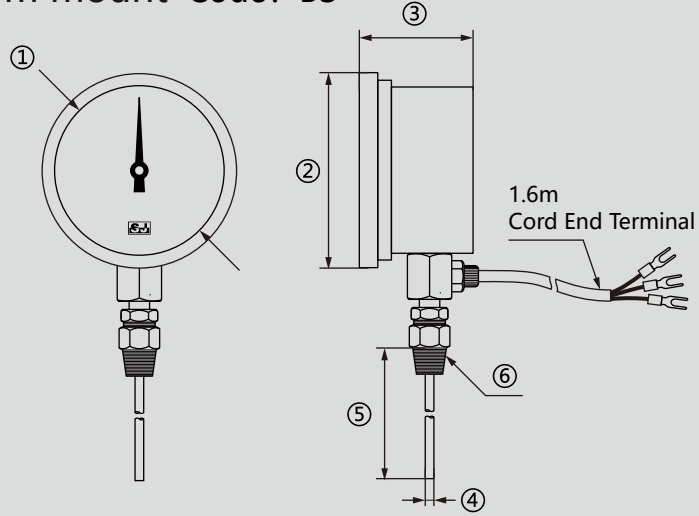
Back mount code: BL



NS	Code	
	BS	BL
3"	✓	✓
4"	✓	✓
6"	✓	✓

Dimensions

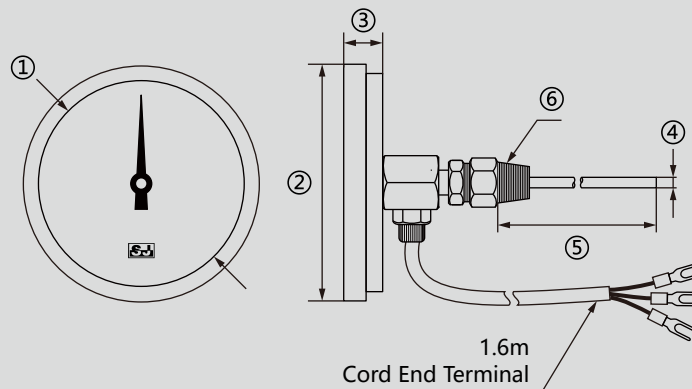
Bottom mount Code: BS



Dimensions in mm

NS	①	②	③	④	⑤	⑥
3"	70	84	45	10mm	As required	1/2", 3/4" (PT)
4"	102	118	48	12mm		
6"	148	160	46			

Back mount code: BL



Dimensions in mm

NS	①	②	③	④	⑤	⑥
3"	70	84	17	10mm	As required	1/2", 3/4" (PT)
4"	100	119	18	12mm		
6"	150	166	18			

Codes for custom order configurations

EX:	DTHIT -	BS	75	4	PT	100°C	Y	10	KT	+A
Type of mounting		BS								
BS	- Bottom mount									
BL	- Back mount									
BA	- Adjustable angle									
Nominal size			75							
75	- 3"									
100	- 4"									
150	- 6"									
Thread size				4						
4	- 1/2"									
6	- 3/4"									
Connection type					PT					
PT	- PT									
NPT	- NPT									
OTH	- Other									
Temperature range(°C,°F)						100°C				
Whether to specify the unit							Y			
Y	- Yes, specify the unit above									
N	- No, accept the other units									
Stem length								10		
10	- 10mm									
12	- 12mm									
Output signal									KT	
KT	- K-Type									
PT	- PT100Ω									
4	- 4~20mA									
Other demands										+A
+A	- None									
+B	- Additional order details									

For any changes to the specifications of this catalogue, the latest version shall prevail.

Copyright © 09/2020 by SIN JIA ENTERPRISE COMPANY LIMITED. All rights reserved.

SIN JIA ENTERPRISE COMPANY LIMITED

TEL:+886-2-2550-4512

FAX:+886-2-2550-4510

info@sinjiagauge.com

www.sj-gauge.com

No.3, Ln. 71, Chifeng St., Datong Dist., Taipei City 103, Taiwan

