

Sanitary Diaphragm Seal, SMS Standard

Model: DIS-SMS

Feature of Product

- For dairy products, breweries, food, biochemical, pharmaceutical and beverage industry
- For cleaning easy and open



Fig. left: Female (code: F)
Fig. right: Male (code: M)

Product Specification

Process connection

DIN: 1-1/2", 2", 3", 4"

Material

316L stainless steel
(other on the request)

Pressure range

Gauge

1-1/2": 0...6 ~ 0...40 bar

2": -1...1.5 ~ 0...25 bar

3"~4": -1...1.5 ~ 0...16 bar

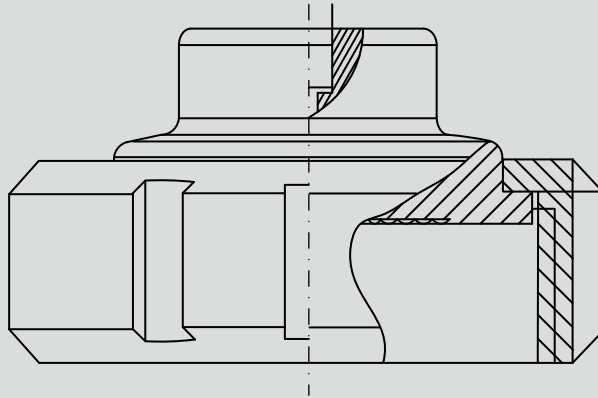
Transmitter

1-1/2": -1...40 bar

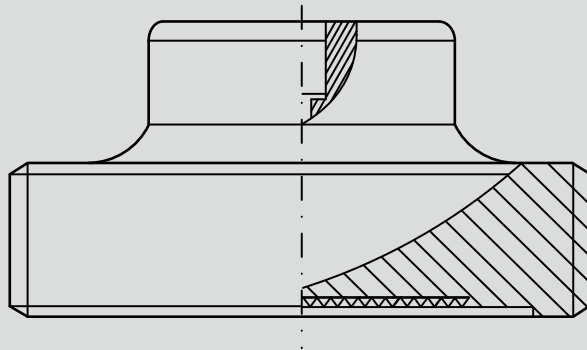
2": -1...25 bar

3"~4": -1...16 bar

Female code: F



Male code: M



Codes for Custom Order Configurations

Ex: DIS-SMS 12 304 316L M LT N

Connection

12	-	1-1/2"
16	-	2"
24	-	3"
32	-	4"

Material

304	-	304SS
316	-	306SS
316L	-	316L

Diaphragm

316L	-	316L
HSC	-	Hastelloy C276
TTL	-	Tantalum
MON	-	Monel 400
TIM	-	Titanium
NIC	-	Nickel 200

M/F

M	-	Male
F	-	Female

Filling fluid

LT	-	0°C...80°C
MT	-	80°C...200°C
HT	-	200°C...400°C
NM	-	Neobee M-20

Capillary

Y1~20	-	Y1=1m, Y20=20m
N	-	None

For any changes to the specifications of this catalogue, the latest version shall prevail.

Copyright © 08/2021 by SIN JIA ENTERPRISE COMPANY LIMITED. All rights reserved.

SIN JIA ENTERPRISE COMPANY LIMITED

TEL:+886-2-2550-4512

FAX:+886-2-2550-4510

info@sinjiagauge.com

www.sj-gauge.com

No.3, Ln. 71, Chifeng St., Datong Dist., Taipei City 103, Taiwan

