

Threaded Connection, 90°

Model: DIT-S90

Feature of Product

- Suitable for corrosive, toxic, high viscosity and easy to crystallize media
- For mounting to measuring instruments for low pressure ranges or differential pressure measuring instruments



Product Specification

Process connection

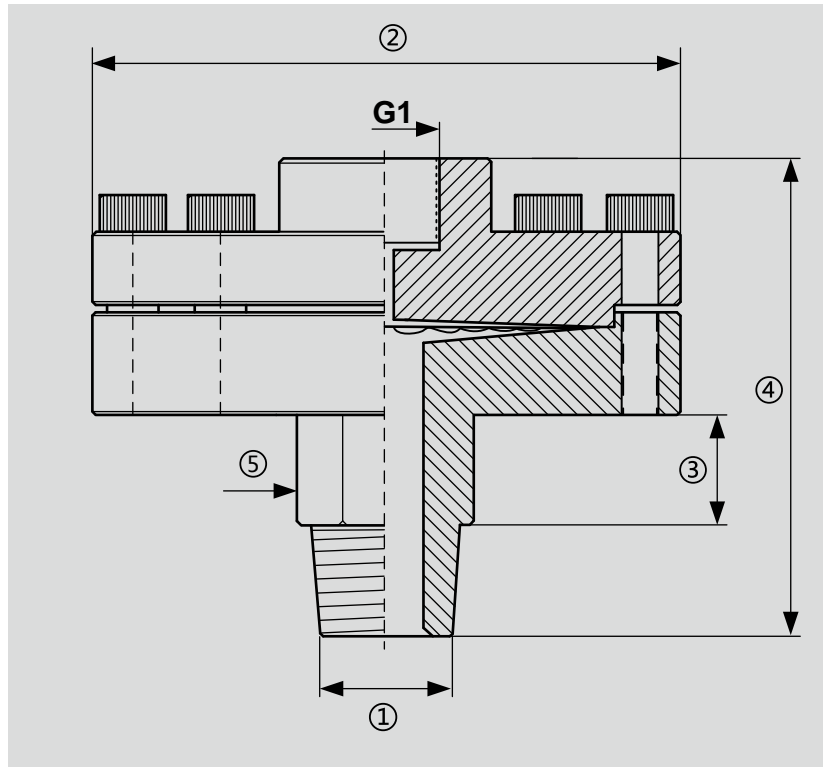
Male pipe thread

Pressure rating

PN 60

Body316 stainless steel
(other on the request)**Pressure range**Gauge: -1...0 ~ 0...40 bar
Transmitter: 0...4000 mmH₂O ~ -1...40 bar**Diaphragm**316L stainless steel
(other on the request)

Dimensions



Codes for Custom Order Configurations

Ex:	DIT-S90 -	2	PT	304	HSC	X	316L	LT	N
Thread size		2							
2	-	1/4"							
3	-	3/8"							
4	-	1/2"							
6	-	3/4"							
8	-	1"							
Thread type			PT						
PT	-	PT							
NPT	-	NPT							
PF	-	PF(G)							
M20	-	M20 P1.5							
Upper				304					
304	-	304SS							
316	-	316SS							
316L	-	316L							
Lower									
304	-	304SS			HSC				
316	-	316SS							
316L	-	316L							
HSC	-	Hastelloy C276							
TTL	-	Tantalum							
MON	-	Monel 400							
TIM	-	Titanium							
NIC	-	Nickel 200							
Diaphragm						316L			
316L	-	316L							
HSC	-	Hastelloy C276							
TTL	-	Tantalum							
MON	-	Monel 400							
TIM	-	Titanium							
NIC	-	Nickel 200							
PTF	-	PTFE							
SLC	-	Silicone							
VT	-	Viton							
CT	-	Coating PTFE							
CF	-	Coating PFA							
Temperature							LT		
LT	-	0°C...80°C							
MT	-	80°C...200°C							
HT	-	200°C...400°C							
120	-	-80°C...120°C							
FO	-	Fluorinated oil							
Capillary								N	
Y1~20	-	Y1=1m , Y20=20m							
N	-	None							

For any changes to the specifications of this catalogue , the latest version shall prevail.
Copyright © 03/2020 by SIN JIA ENTERPRISE COMPANY LIMITED. All rights reserved.

SIN JIA ENTERPRISE COMPANY LIMITED

TEL:+886-2-2550-4512

FAX:+886-2-2550-4510

info@sinjiagauge.com

www.sj-gauge.com

No.3, Ln. 71, Chifeng St., Datong Dist., Taipei City 103, Taiwan

