

Digital Electric Contact

Model: MXE4

Feature of Product

- Accurately setting, avoid carbon deposits and sparks.
- Provide 4 types of pressure units



Product Specification

Nominal size

100mm、80mm

Accuracy

±1.0%F.S. (±0.5%F.S. optional)

Thread

304 stainless steel
(other on the request)

Case

304 stainless steel

Pressure range

-1...1000 bar

Ambient temperature

-10°C~60°C

Medium temperature

-35°C~60°C

Pressure limit

150%

Protection

IP55

Diaphragm

Ceramics or silicon

Units

MPa、kg/cm²、psi、kPa

Switch setting

Double contacts
(Can refer to P5 Control function)

Product Specification

Rated voltage

DC12V,DC24V,DC36V, AC220V,
AC380V

Contact rating

DC32V/5A; AC250V/10A

Starting current

0.5A

Fuse

F3AL250V, 5*20, 3A

Relay

Omron

Electric wiring

Junction box

Accessories

Junction box cover switch

Thread Type

PT, G, NPT

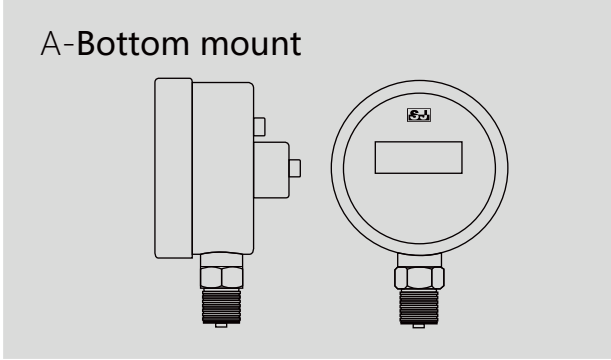
Thread Size

1/4" , 3/8" , 1/2" or Other

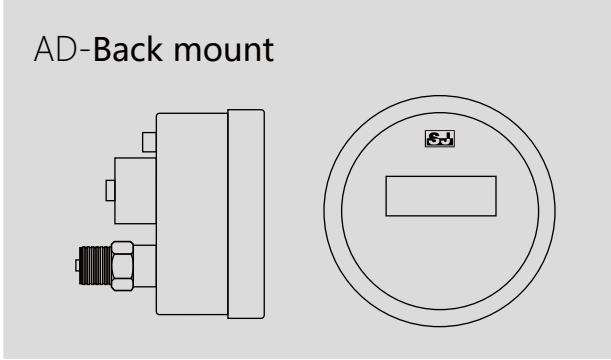
Relay \ Volt	DC24V	AC220V	AC380V
Single	35mA	7.5mA	5mA
Double	50mA	10mA	7.5mA

Type of Mounting

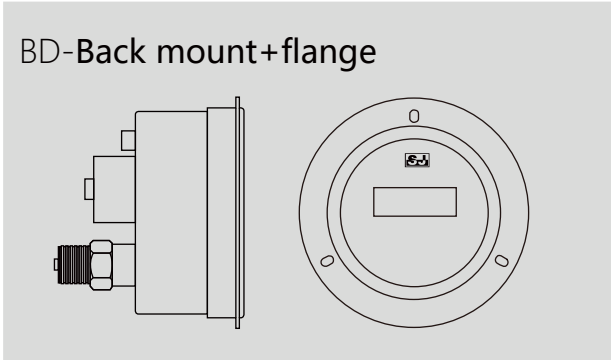
A-Bottom mount



AD-Back mount



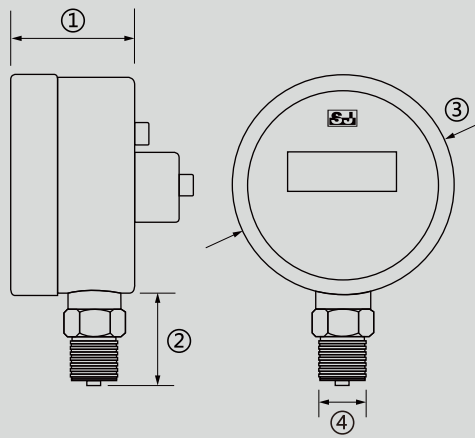
BD-Back mount+flange



NS \ Code	A	AD	BD
3"	✓	✓	✓
4"	✓	✓	✓

Dimensions

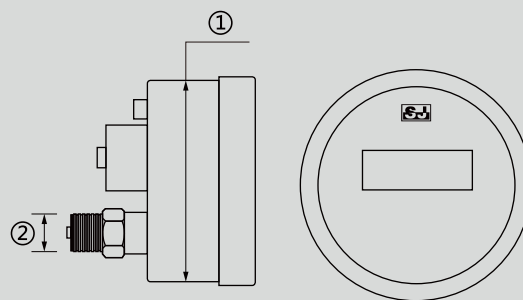
A-Bottom mount



單位: mm

NS	①	②	③	④
3"	48	36.8	80.8	M14*1.5
4"	58	41	100	M20*1.5

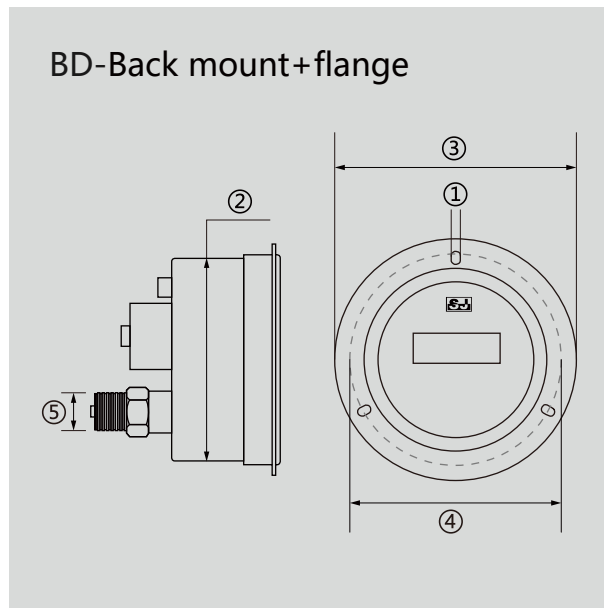
AD-Back mount



單位: mm

NS	①	②
3"	76	M14*1.5
4"	100	M20*1.5

Dimensions



單位: mm

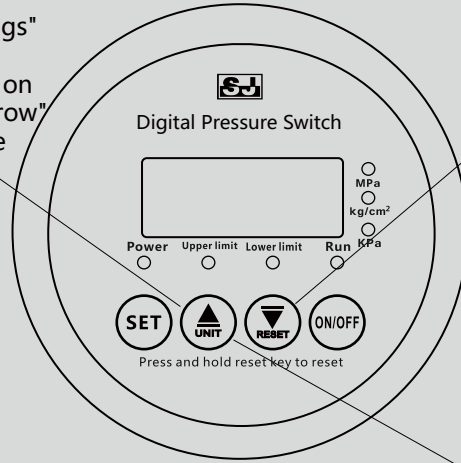
NS	①	②	③	④	⑤
3"	4.5	76	107	96.5	M14*1.5
4"	5	100	132.5	117	M20*1.5

Function instructions

3" :

Setting upper limit

In the setting state, press "Settings" to enter the upper limit setting
The upper limit indicator light is on
Press "Up Arrow" and "Down Arrow" to increase or decrease the value



Setting lower limit

Continue to the previous step
Press "Settings" to enter the lower limit setting, the lower limit light is on
Press "Up Arrow" and "Down Arrow" to increase or decrease the value

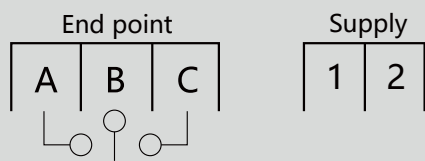
Zeroing / switch the unit

1. Press "RESET" for 3 seconds for Zeroing
2. Press "Unit" to switch the unit

Caution

1. Before installation, please power off
2. The instrument switch is relay contact output, which needs to be used with electromagnet contactor or other related equipment. If you need to controll the instrument directly, you need to use series voltage.

Wiring Diagram



- A. Upper limit control end
- B. Common wiring end
- C. Lower limit control end

Caution: input voltage

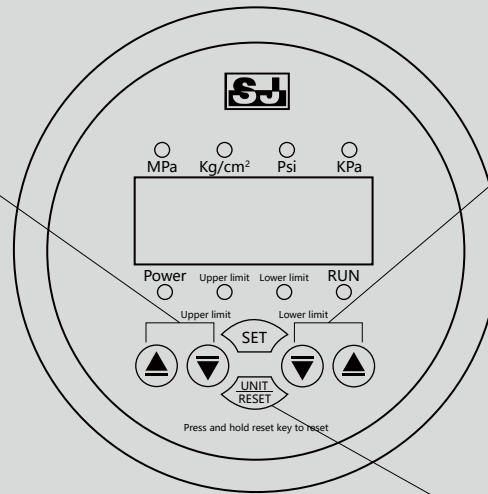
⚠ While control the output switch signal, it need to use with AC contactor

Function instructions

4" :

Setting upper limit

Use "Upper Limit" buttons to change the action pressure point. Long press to change the pressure value. After setting, press "set" button



Setting lower limit

Use "Lower Limit" buttons to change the action pressure point. Long press to change the pressure value. After setting, press "set" button

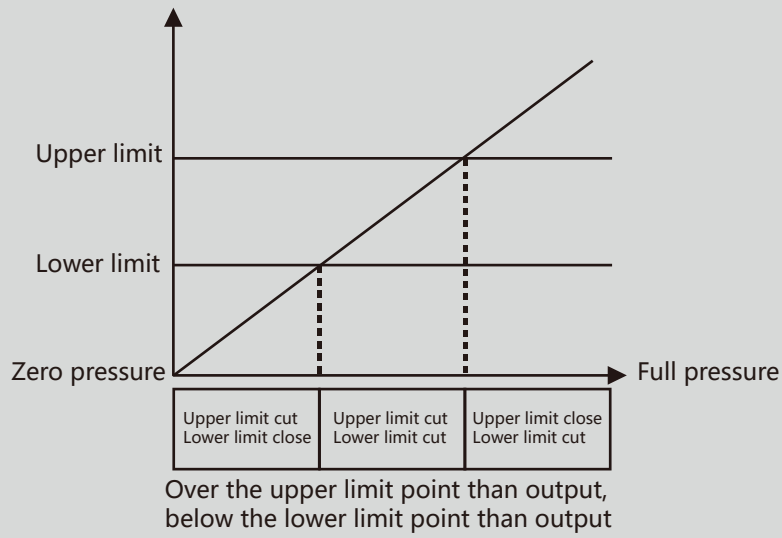
Zeroing / switch the unit

1. Press "RESET" for 3 seconds for Zeroing
2. Press "Unit" to switch the unit

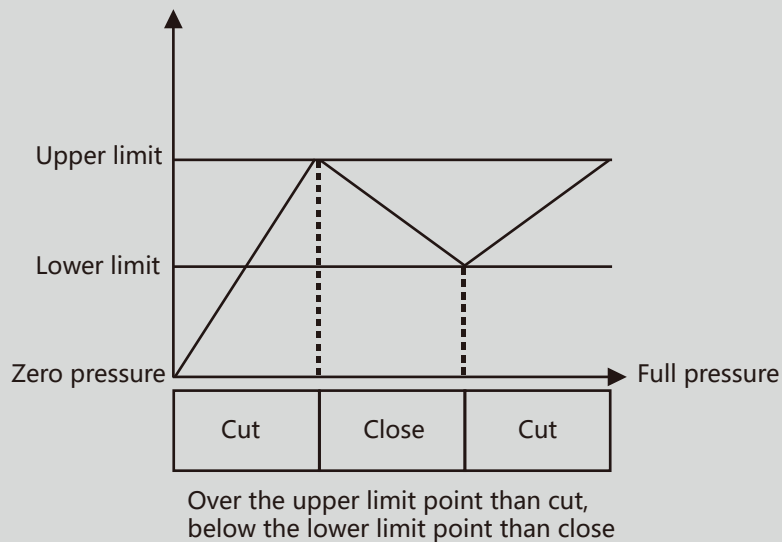
Caution

1. Before installation, please power off
2. The instrument switch is relay contact output, which needs to be used with electromagnet contactor or other related equipment. If you need to controll the instrument directly, you need to use series voltage.

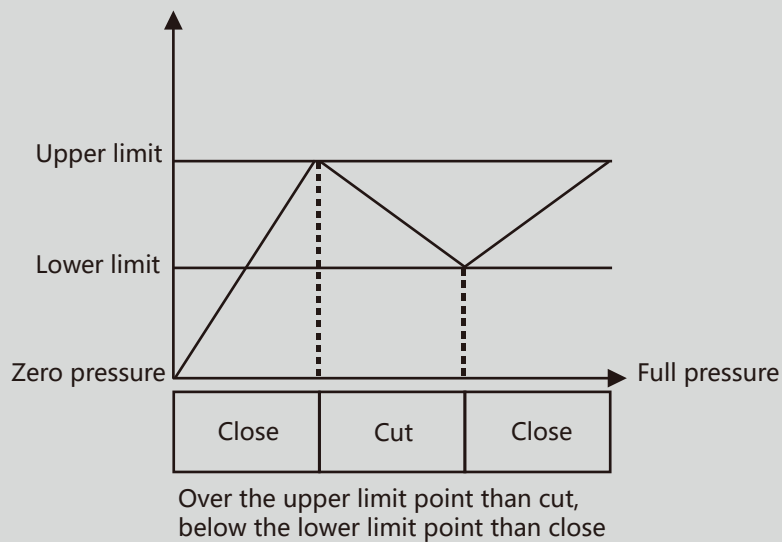
05-Electrical contact



03-Anti-control



01-Positive control



Codes for Custom Order Configurations

Ex:	MXE4	A	12	80	2	PT	05	10kg	+A
Type of mounting		A							
A	- Bottom mount								
BD	- Back mount+flange								
AD	- Back mount								
Input voltage			12						
24	- DC24V								
220	- AC220V								
380	- AC380V								
Nominal size				80					
80	- 3"								
100	- 4"								
OT	- Other								
Thread size					2				
2	- 1/4"								
3	- 3/8"								
4	- 1/2"								
+OT	- Other								
Thread type						PT			
PT	- PT								
G	- G								
NPT	- NPT								
control function							05		
05	- Electric contact function								
03	- Anti control								
01	- Positive control								
Pressure range (including unit)								10kg	
Other demands									+A
+A	- NONE								
+B	- Additional order details								

For any changes to the specifications of this catalogue, the latest version shall prevail.
Copyright © 12/2021 by SIN JIA ENTERPRISE COMPANY LIMITED. All rights reserved.

SIN JIA ENTERPRISE COMPANY LIMITED

TEL:+886-2-2550-4512

FAX:+886-2-2550-4510

info@sinjiagauge.com

www.sj-gauge.com

No.3, Ln. 71, Chifeng St., Datong Dist., Taipei City 103, Taiwan

