

RS485 Output Digital Pressure Transmitter

Model: PRD-FEF

Feature of Product

- RS485 output signal
- Range of accuracy: $\pm 0.25\%F.S.$ ~ $\pm 1\%F.S.$
- Can be used with various control gauges, loop regulations, control systems, etc



Product Specification

Nominal size

60mm

Accuracy $\pm 1.0\%F.S.$ (standard) $\pm 0.5\%F.S.$, $\pm 0.25\%F.S.$ (optional)**Pressure range**

15kPa~1000bar

Case

304 stainless steel

Wetted part

SS304, SS316 (optional)

Weight

950g

Output signal

RS485

Power supply

DC16~32V

Medium temperature $-20^{\circ}C$ ~ $80^{\circ}C$ **Ambient temperature** $-35^{\circ}C$ ~ $60^{\circ}C$ **Measurable medium**

Liquid and gas

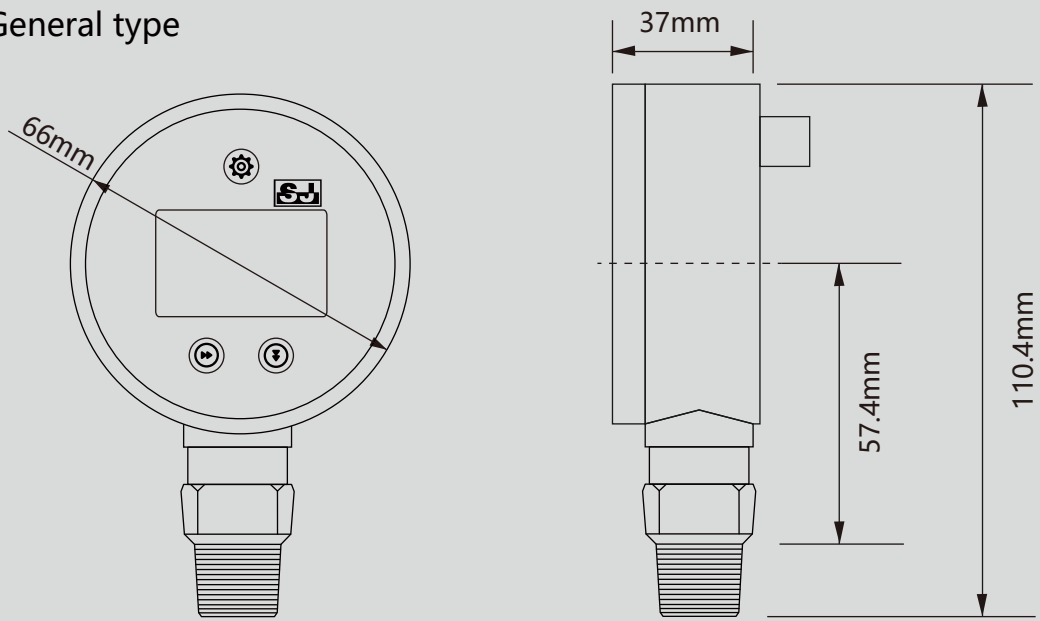
Connector

4 pin aviation plug

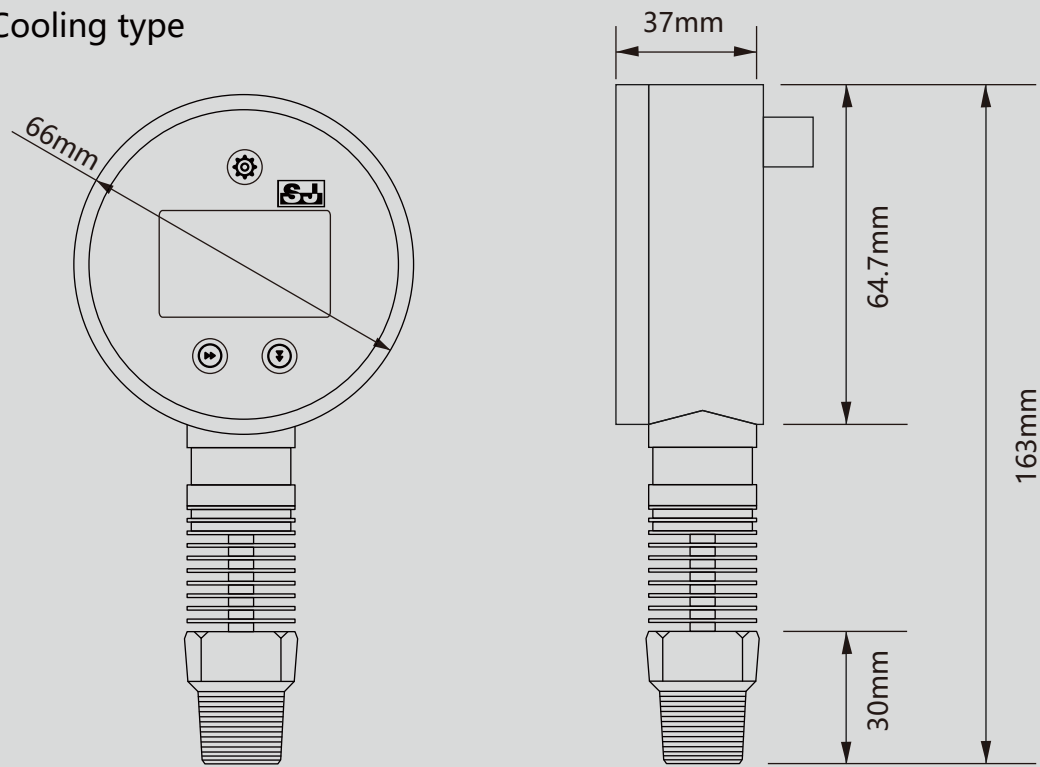


Dimensions

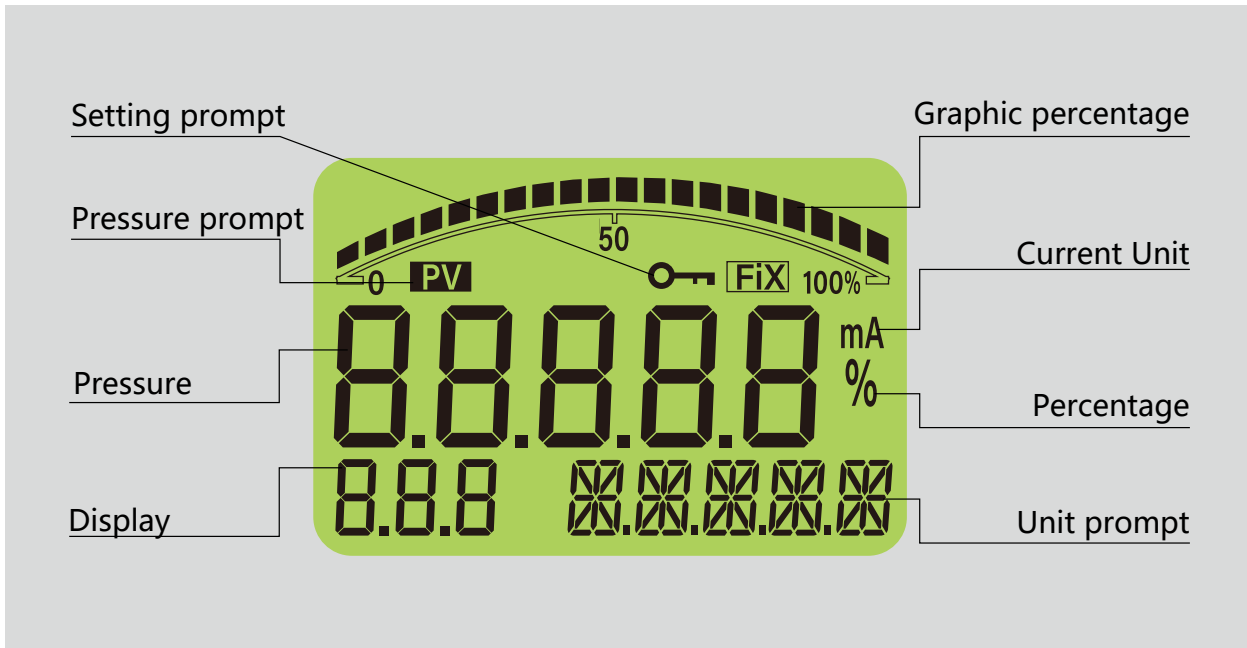
General type



Cooling type



Display Screen



Codes for Custom Order Configurations

Ex:	PRD-FEF -	A	1	2G	10kg	+A
Style		A				
A	-	General type				
B	-	Cooling type				
Accuracy			1			
1	-	±1.0% F.S.				
5	-	±0.5% F.S.				
2	-	±0.25% F.S.				
Connection				2G		
2G	-	1/4" G				
3G	-	3/8" G				
4G	-	1/2" G				
2PT	-	1/4" PT				
4PT	-	1/2" PT				
2NPT	-	1/4" NPT				
4NPT	-	1/2" NPT				
OT	-	Other				
Pressure range (including unit)					10kg	
Other demands						+A
+A	-	None				
+B	-	Additional order details				

For any changes to the specifications of this catalogue, the latest version shall prevail.
Copyright © 07/2021 by SIN JIA ENTERPRISE COMPANY LIMITED. All rights reserved.

SIN JIA ENTERPRISE COMPANY LIMITED

TEL:+886-2-2550-4512

FAX:+886-2-2550-4510

info@sinjiagauge.com

www.sj-gauge.com

No.3, Ln. 71, Chifeng St., Datong Dist., Taipei City 103, Taiwan

