

Pressure Transmitter for General Use

Model: QD

Feature of Product

- Not only notable for its compact design, but it also offers excellent quality at an extremely competitive price.
- Can choose output signal depends on demands.



From the left side to the right: Angular connector/Circular connector/Waterproof metal connector/Waterproof plastic connector

Product Specification

Measuring range

-0.1~100MPa

Thread size

1/8、1/4"、1/2"、M20*1.5

Thread type

PT、PF(G)、NPT

Accuracy

±0.5% F.S., ±0.25% F.S.

Output signal

4-20mA、0-20mA、0-10V、
0-5V、RS485

Media temperature

-35°C~60°C

Power supply

DC16~32V

Overpressure

150%

Zero drift

≤ 0.1%F.S.

Stability

≤ ±0.15%F.S. / year

Response time

≤ 10ms

Case

304 stainless steel



Product Specification

Transmission distance

±100M

(no electromagnetic interference)

Impact of vibration

≤ 0.15%F.S. / year

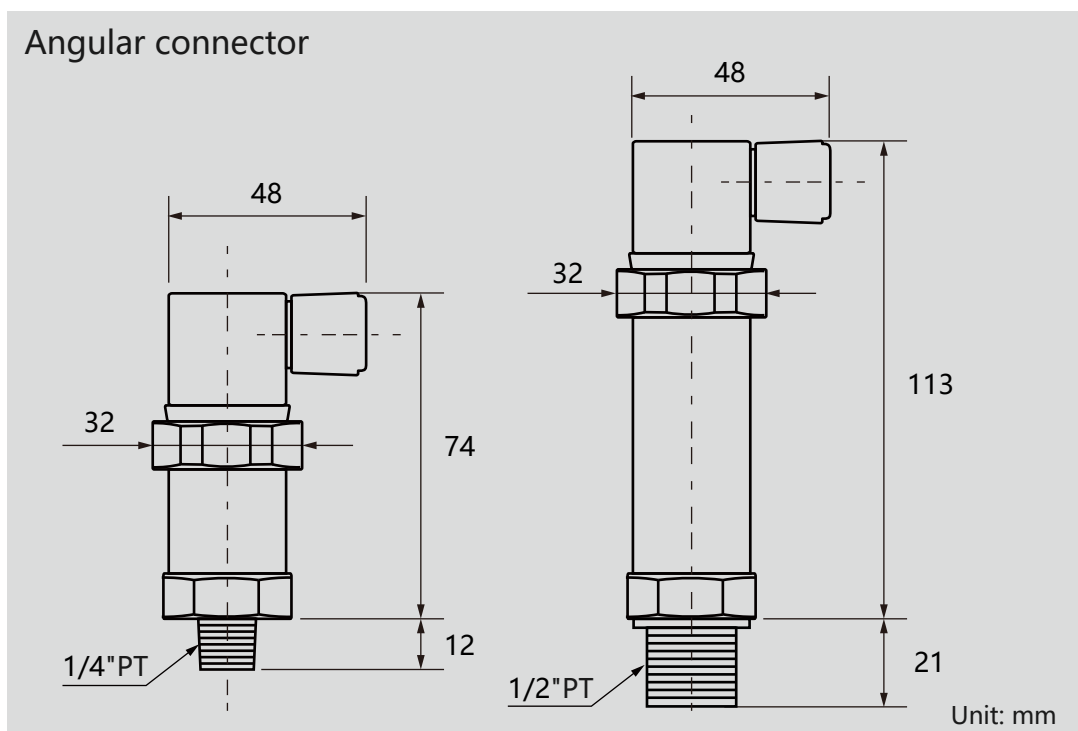
Connector

Angular type, circular type

Insulation resistance

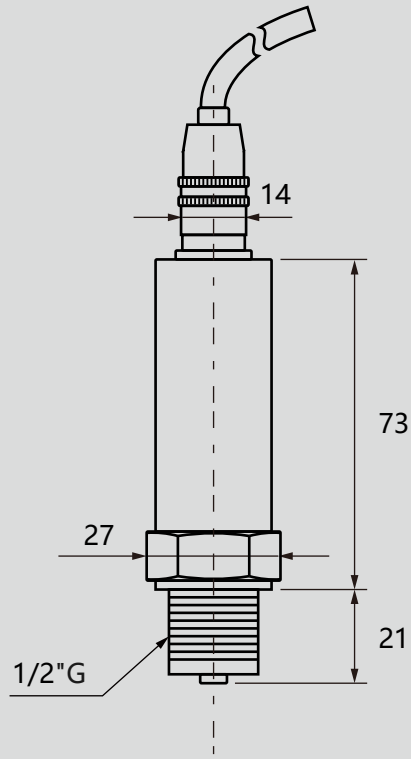
≥1000MΩ / 100VDC

Dimensions



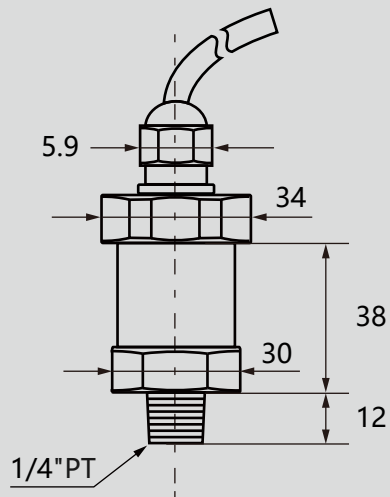
Dimensions

Circular connector



Unit: mm

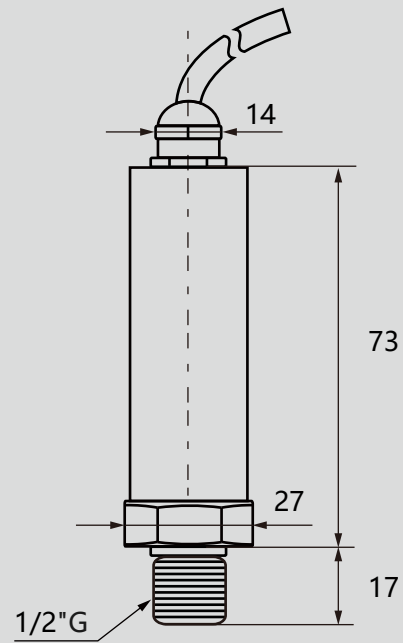
Waterproof plastic connector



Unit: mm

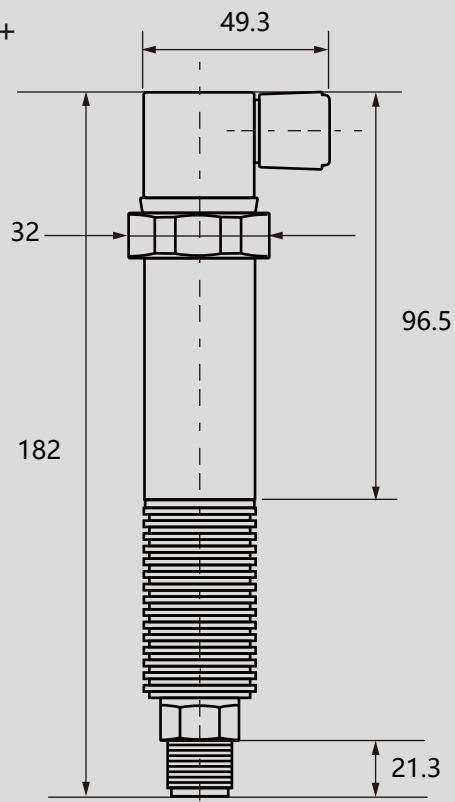
Dimensions

Waterproof metal connector



Unit: mm

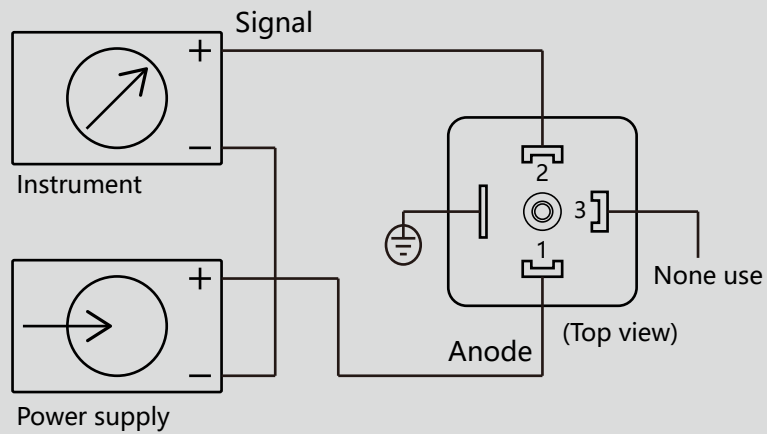
Angular connector+ Cooling element



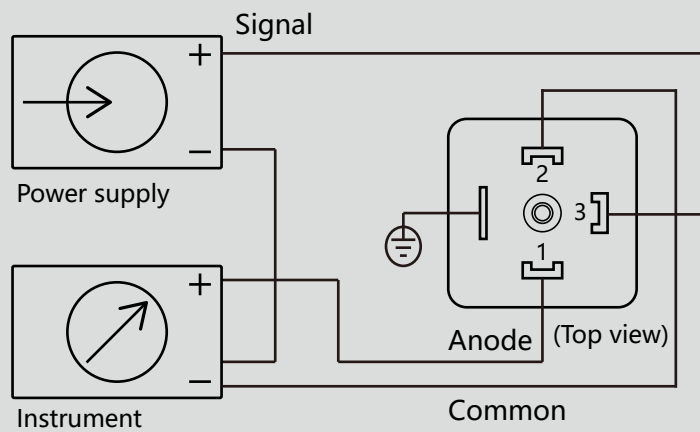
Unit: mm

Wiring Diagram

Angular connector-2 wire type



Angular connector-3 wire type (0~5V、0~10V)



Codes for Custom Order Configurations

Ex: QD - A 2G 420 5 100MPa +A

Connector

A	- Angular (normal)
B	- Angular (Small)
C	- Circular
D	- Waterproof plastic
E	- Waterproof metal

Thread type

2G	- 1/4"PF(G)	2G
2PT	- 1/4"PT	
4NPT	- 1/8NPT	
2NPT	- 1/4"NPT	
M	- M20*1.5	
OT	- Go with other adapter	

Output signal

420	- 4-20mA	420
020	- 0-20mA	
010	- 0-10V	
05	- 0-5V	
RS	- RS485	
OT	- Other	

Accuracy

5	- $\pm 0.5\%$ F.S.	
25	- $\pm 0.25\%$ F.S.	5

Pressure range (with unit)

100MPa

Other demands

+A

+A	None
+B	Additional order details

For any changes to the specifications of this catalogue, the latest version shall prevail.

Copyright © 08/2021 by SIN JIA ENTERPRISE COMPANY LIMITED. All rights reserved.

SIN JIA ENTERPRISE COMPANY LIMITED

TEL:+886-2-2550-4512

FAX:+886-2-2550-4510

info@sinjiagauge.com

www.sj-gauge.com

No.3, Ln. 71, Chifeng St., Datong Dist., Taipei City 103, Taiwan

