

# Differential Pressure Gauge-Bellow Type

Model: PRBD

## Feature of Product

- Suitable for measuring the differential pressure and flow rate of various fluid media in industrial processes
- Made of stainless steel, corrosion resistant
- PRBD Differential Pressure Gauge-Bellow Type needs to be used with multi-port valve



## Product Specification

**Nominal size**

100mm, 150mm

**Thread**

1/2" NPT , or Other

**Measuring range**0...1000mmH<sub>2</sub>O~0...25kgf/cm<sup>2</sup>**Protection level**

IP65

**Accuracy**

2.5%

**Static pressure range**

6 times (within) the differential pressure range

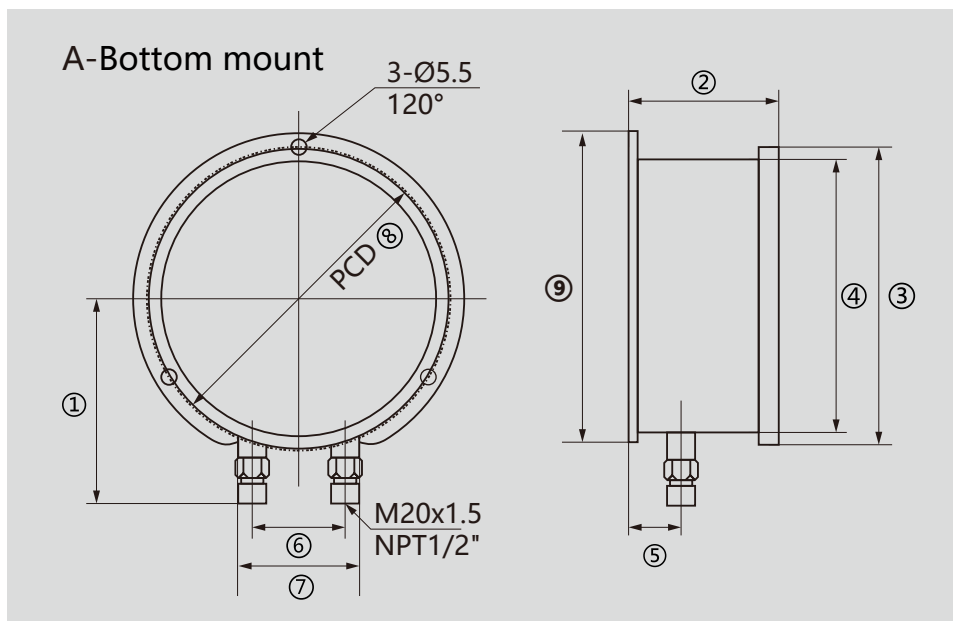
**Case**

304 stainless steel

**Wetted part**

316 stainless steel

# Dimensions



size(mm)									
NS	①	②	③	④	⑤	⑥	⑦	⑧	⑨
100	98	68	111	96	21	45	65	118	132
150	120	102	160	145	25	54	76	165	182

# Codes for Custom Order Configurations

Ex:	PRBD -	A	100	4	+A
<b>Mounting type</b>		A			
A	-	Bottom mount			
<b>Nominal size</b>					
100	-	100mm			
150	-	150mm	100		
<b>Thread size</b>				4	
4	-	1/2"NPT			
OT	-	other			
<b>Differential pressure range (including unit)</b>					
<b>Other demands</b>					+A
+A	-	None			
+B	-	Additional order details			

For any changes to the specifications of this catalogue, the latest version shall prevail.  
Copyright © 07/2021 by SIN JIA ENTERPRISE COMPANY LIMITED. All rights reserved.

SIN JIA ENTERPRISE COMPANY LIMITED

TEL:+886-2-2550-4512

FAX:+886-2-2550-4510

info@sinjiagauge.com

www.sj-gauge.com

No.3, Ln. 71, Chifeng St., Datong Dist., Taipei City 103, Taiwan

