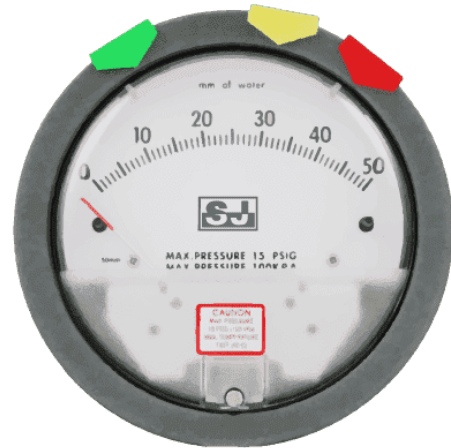


Low Differential Pressure Gauge

Model: PRMD

Feature of Product

- Place: hospital, laboratory, refuel stations, storage tanks, etc
- Measure low differential pressure between different pressure source (3mmH₂O~5000mmH₂O)



Product Specification

Nominal size

4.5"

Permissible temperature

-7°C~60°C

Thread

1/8" NPT female

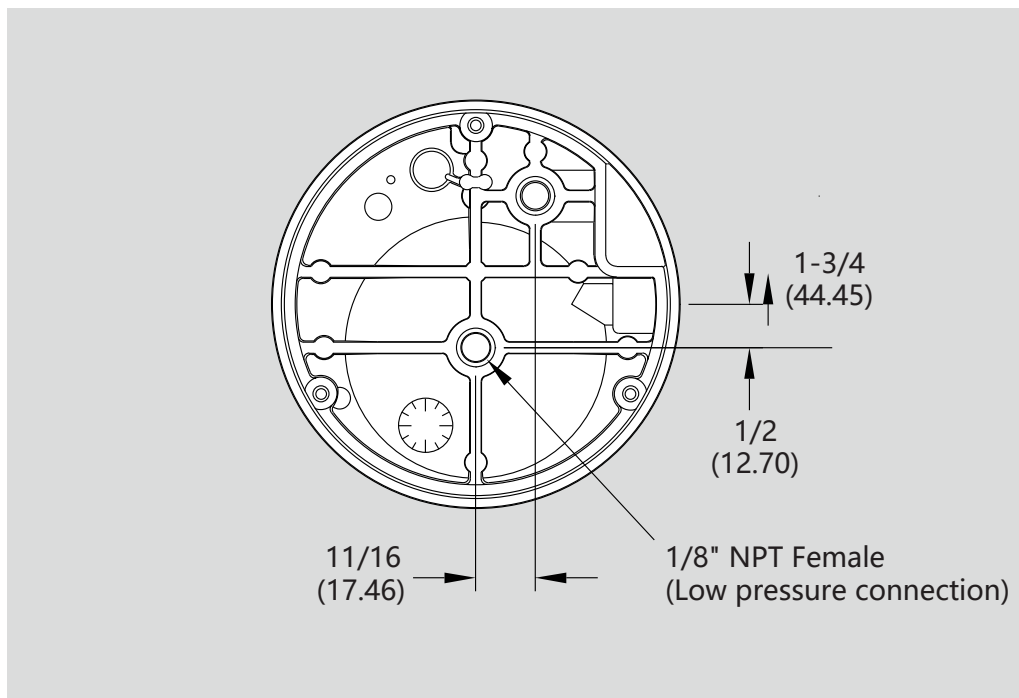
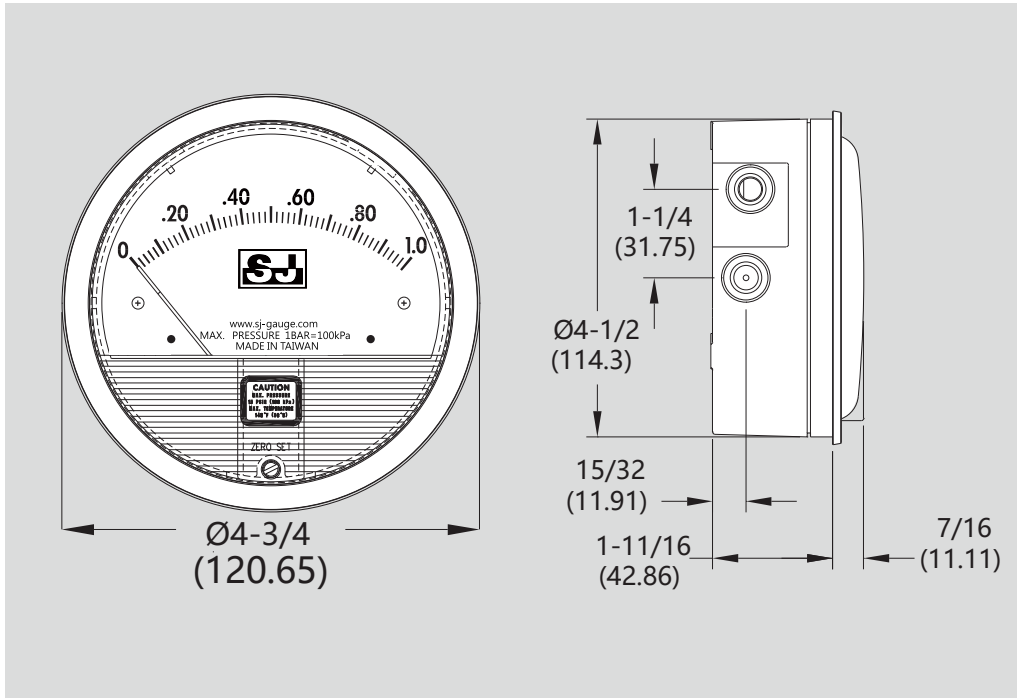
Case

Die cast aluminum

Measuring rangeDifferential pressure
3mmH₂O~5000mmH₂O**Accuracy**±2%: 100PA、125PA、100MM
±4%: 60PA、6MM**Pressure limit**

-20"Hg~15psi

Dimensions



Accessories



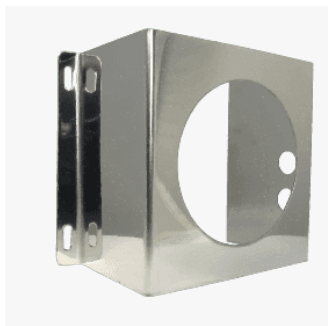
Standard accessories

Kits: screws, connection fittings



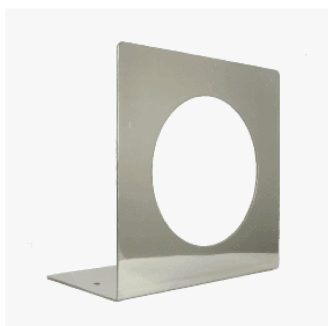
Option-A

Backboard



Option-B

Flush mount bracket



Option-C

L mount bracket

Codes for Custom Order Configurations

Ex:	PRMD -	500mm of water	5pcs	+A	+A
range(including unit)		500mm of water			
Quantity			5pcs		
Accessories				+A	
+A	-	None			
+B	-	Backboard			
+C	-	Flush mount bracket			
+D	-	L mount bracket			
Other demands					+A
+A	-	None			
+B	-	Additional order details			

For any changes to the specifications of this catalogue, the latest version shall prevail.
Copyright © 05/2020 by SIN JIA ENTERPRISE COMPANY LIMITED. All rights reserved.

SIN JIA ENTERPRISE COMPANY LIMITED

TEL:+886-2-2550-4512

FAX:+886-2-2550-4510

info@sinjiagauge.com

www.sj-gauge.com

No.3, Ln. 71, Chifeng St., Datong Dist., Taipei City 103, Taiwan





Low Differential Pressure Gauge

Model: PRMD

Operation Manual

Measurement operation

- Positive pressure :
Please plug one of the two high pressure holes, connect the other high-pressure hole with the pipeline to be measured, and do not plug the other two low-pressure holes to balance with the atmospheric pressure.
- Negative pressure :
Please plug one of the two low pressure holes, connect the other low-pressure hole to the pipeline to be measured, and the other two high-pressure holes are not plugged, and balance with the atmospheric pressure.
- Differential pressure :
Install the differential pressure gauge on the U-clamp. There are high and low pressure holes on the back and sides of the gauge. If you want to take over the measurement from the side, the two holes on the back need to be plugged with the screw plugs of the accessory kit. If you want to measure from the back, perform the reverse operation.

Accessory

- Standard accessories :
 1. Red, green and yellow adjustable warning pointer
 2. 1/8"NPT Hole plug x2
 3. Two connectors, one end is 1/8"NPT, the other end is PU hose
 4. Long and short thread x3
- Purchase accessories :
Round back plate, stainless steel U-clamp, stainless steel L mount bracket

Maintenance method

- No lubrication or regular maintenance is required. Keep the housing and upper cover clean. Occasionally untie the pressure line to vent both sides of the gage to the atmosphere and reset it to zero. The optional exhaust valve should be used for permanent installation. The PRMD series cannot be repaired on site and should be returned if repair is required (onsite repair should not be attempted, which may invalidate the warranty). Be sure to provide a brief description of the problem and any related application instructions. Please contact customer service before shipping.

Other matters attention

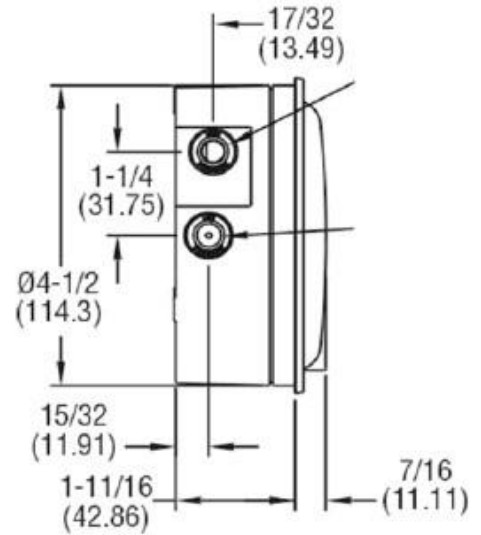
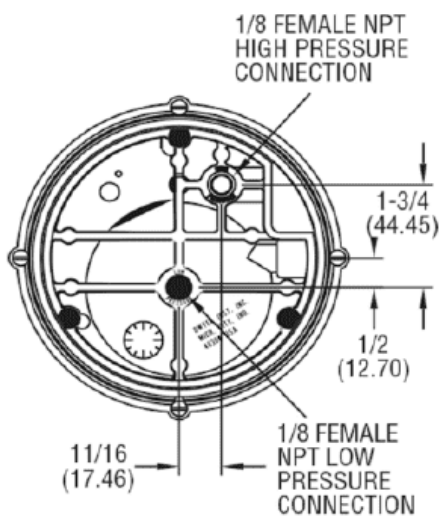
- Choose a working environment where the temperature does not exceed 140° F (60° C). In addition, please be sure to avoid direct sunlight, otherwise it will accelerate the discoloration of the transparent plastic cover. The plastic hose can be lengthened according to the needs of use. Longer pipe lengths will not affect accuracy, but will slightly increase response time. If the pulsating pressure or vibration causes the pointer to vibrate too much, please consult the factory to provide additional damping.
- Overpressure protection :
The standard differential pressure gauge has a maximum rated pressure of 15 psig and should not be used beyond this limit. The model uses a rubber plug at the rear. When the pressure reaches about 25 psig, the red rubber plug at the rear will pop open.
- Zero adjustment :
After vertical installation, there is a ZERO SET on the differential pressure gauge, which can be adjusted to zero.



Low Differential Pressure Gauge
Model: PRMD

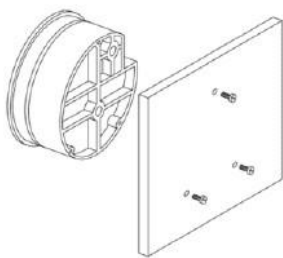
Operation Manual

Dimensions

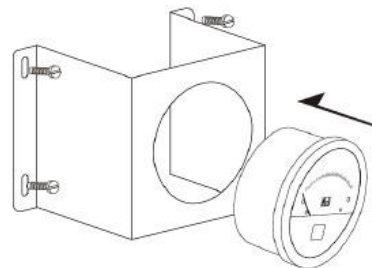


Installation method

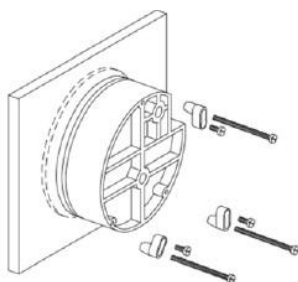
■ Flat mounting type



■ U-clamp



■ Embedded



■ Round back version installation type

