

# Whole stainless steel pressure gauge

Model: PRSS

## Feature of Product

- Best choice for outdoor installation
- Suitable for liquids or gases that are not aggressive to stainless steel



## Product Specification

### Nominal size

2.5"、3"、4"

### Thread size

1/8"、1/4"、3/8"、1/2"

### Thread type

PT、PF、NPT

### Pointer

Black aluminum alloy

### Pressure range

30 inHg Vac.~15000 psi  
76 cmHg Vac. ~1000 kg/cm<sup>2</sup>

### Case

304 stainless steel

### Accuracy

±1.5%F.S.

### Thread material

316 stainless steel

### Bourdon tube

316 stainless steel

### Window

PC, glass can be customized

### Dial

Aluminum alloy  
(single or double scale)



## Product Specification

### **Permissible temperature range**

Ambient:

-40°C~60°C (without liquid-filled)

-20°C~60°C (with liquid-filled)

Medium:

+150°C (without liquid-filled)

+100°C (with liquid-filled)

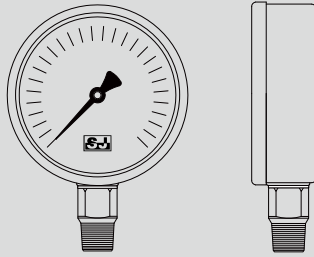
### **Permissible pressure range**

For stable pressure source: 75% F.S.

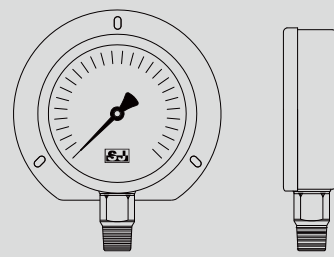
For unstable pressure pulse: 60% F.S.D.

# Type of Mounting

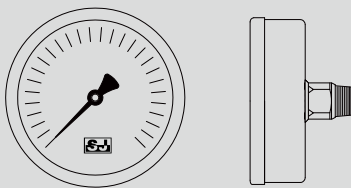
A-Bottom mount



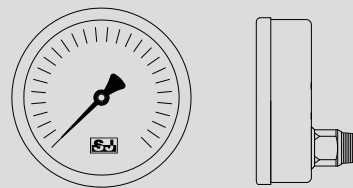
B-Bottom mount with flange



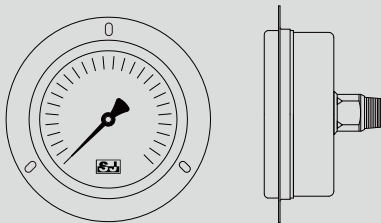
ADC-Central back mount



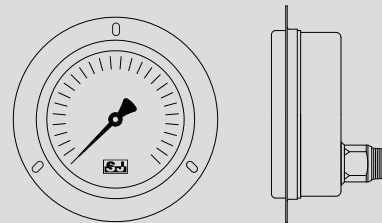
ADL-Low back mount



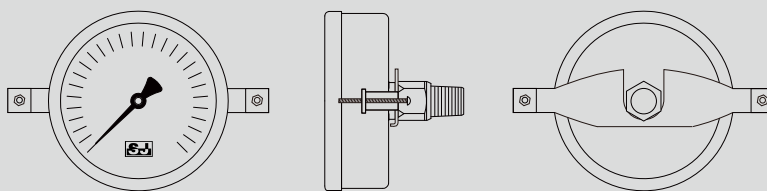
BDC-Central back mount with flange



BDL-Low back mount with flange



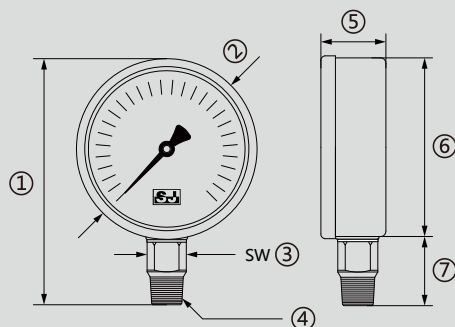
UDC-Central back mount with U-clamp



NS \ Code	A	B	ADC	ADL	BDC	BDL	UDC
2.5"	✓	✓	✓	—	✓	—	✓
3"	✓	✓	✓	—	✓	—	✓
4"	✓	✓	✓	✓	✓	✓	✓

## Dimensions

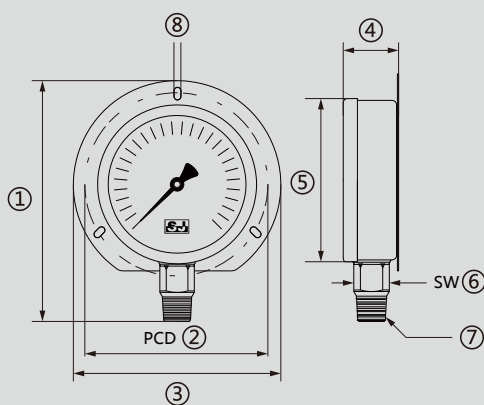
### A- Bottom mount



Unit: mm

NS	①	②	③	④	⑤	⑥	⑦
2.5"	92	71	14	1/4"	34	63	26
3"	118.2	85.2	18	3/8"	32	77.5	30
4"	140	110	22	1/2"	45	98.5	38

### B- Bottom mount with rear flange

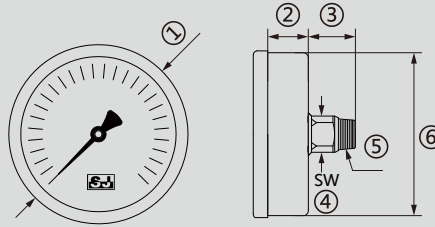


Unit: mm

NS	①	②	③	④	⑤	⑥	⑦	⑧
2.5"	107	82.4	99.5	34	71	14	1/4"	6*4.4
3"	111.5	94	106.1	33	82.5	18	3/8"	6*7.5
4"	150.5	117	130	46.5	110	22	1/2"	4*3

# Dimensions

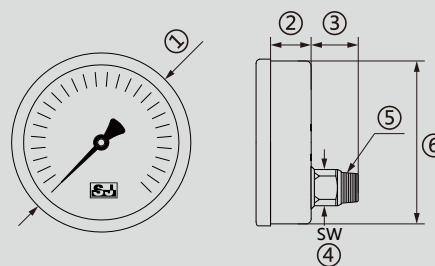
## ADC- Central back mount



Unit: mm

NS	①	②	③	④	⑤	⑥
2.5"	71	25	26	14	1/4"	63.5
3"	85.1	32	30	18	3/8"	77.5
4"	110	28	38	22	1/2"	98.5

## ADL- Low back mount with flange

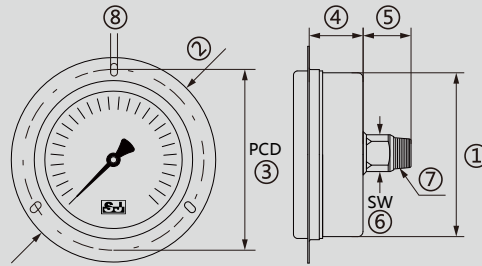


Unit: mm

NS	①	②	③	④	⑤	⑥
4"	110	28	38	22	1/2"	98.5

# Dimensions

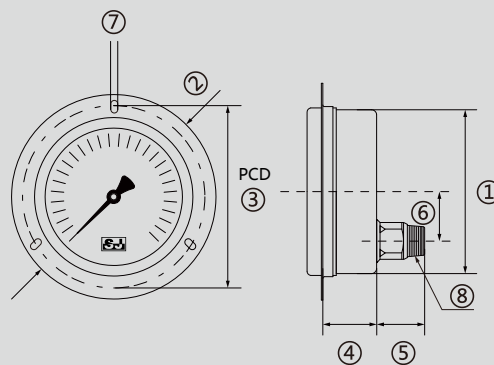
BDC- Central back mount with flange



Unit: mm

NS	①	②	③	④	⑤	⑥	⑦	⑧
2.5"	65	87.5	80.5	25	26	14	1/4"	4.5*3
3"	80	110	96	23	30	18	1/4"	4.5*3
4"	101	132.5	117	28	38	22	1/2"	6*3

BDL- Low back mount with flange

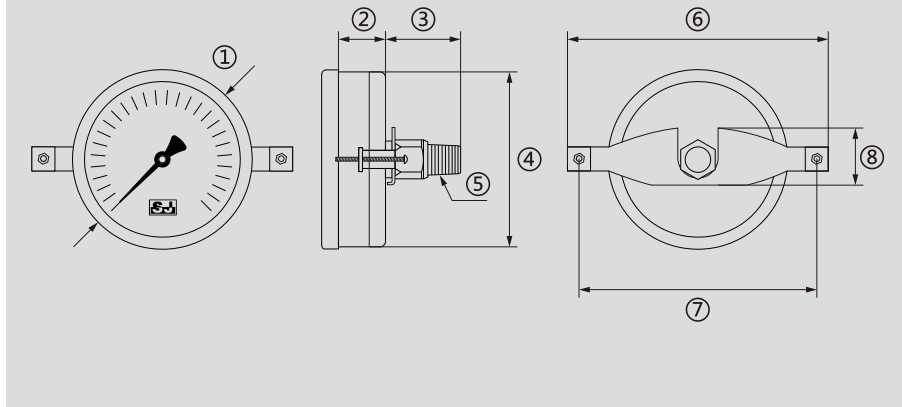


Unit: mm

NS	①	②	③	④	⑤	⑥	⑦	⑧
4"	101	132.5	117	30	35	22.5	8*3	1/2"

# Dimensions

UDC- Back mount with U-clamp



Unit: mm

面徑 \ 尺寸	①	②	③	④	⑤	⑥	⑦	⑧
2.5"	71	25	26	63.5	1/4"	96	88	28.5
3"	85.1	32	35	80	1/4"	135	127	44
4"	110	28	38	98.5	1/2"	135	127	44

# Codes for Custom Order Configurations

Ex:	PRSS -	A	63	2	PT	10kg	N	+N	+A
<b>Type of mounting</b>		A							
A	-	Bottom mount							
B	-	Bottom+rear flange							
ADC	-	Central back mount							
ADL	-	Low back mount							
BDC	-	Central back+flange							
BDL	-	Low back mount+flange							
UDC	-	Back mount+U-clamp	63						
<b>Nominal size</b>									
63	-	2.5"							
75	-	3"							
100	-	4"							
OT	-	Other							
<b>Thread size</b>				2					
1	-	1/8"							
2	-	1/4"							
3	-	3/8"							
4	-	1/2"							
+OT	-	Other							
<b>Thread type</b>					PT				
PT	-	PT							
PF	-	PF							
NPT	-	NPT							
<b>Pressure range (including unit)</b>						10kg			
<b>Whether to specify the unit</b>							N		
Y	-	Yes, specify the unit above							
N	-	No, accept the other units							
<b>Whether need filling liquid</b>								+N	
YG	-	Glycerin							
YS	-	Silicone							
+N	-	None							
<b>Other demands</b>									+A
+A	-	None							
+B	-	Additional order details							



For any changes to the specifications of this catalogue , the latest version shall prevail.  
Copyright © 04/2020 by SIN JIA ENTERPRISE COMPANY LIMITED. All rights reserved.

SIN JIA ENTERPRISE COMPANY LIMITED

TEL:+886-2-2550-4512

FAX:+886-2-2550-4510

info@sinjiagauge.com

www.sj-gauge.com

No.3, Ln. 71, Chifeng St., Datong Dist., Taipei City 103, Taiwan

