

Stainless Steel Low Pressure Gauge

Model: PRSSM.DC

Feature of Product

- Measure low positive and negative pressure
- Lower than 0.5kg/cm²
- 304 stainless steel case
- 316 stainless steel wetted part



Fig. left: Bottom mount

Fig. right: Back mount with flange

Product Specification

Nominal size

4"

Thread size

1/4" , 3/8" , 1/2"

Thread type

G , NPT , PT , M

Thread material

316 stainless steel

Pointer

Black aluminum alloy

Case / bezel

304 stainless steel

Accuracy

ASME B40.1 level B $\pm 3/2/3\%$

Diaphragm

316 stainless steel

Window

Glass

Dial

Aluminum alloy
(single or double scale)

Permissible temperature

-20°C~150°C



Product Specification

Permissible pressure range

For stable pressure source: 75% F.S.

For unstable pressure pulse: 60% F.S.D.

Measuring range

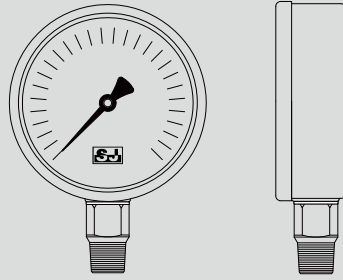
-5000mmAq Vac. ~ 5000mmAq(mmH₂O)

Positive pressure minimum: 300mmAq

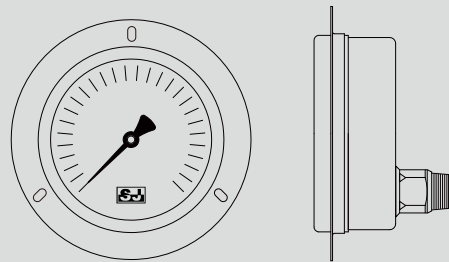
Negative pressure minimum: 300mmAq

Type of Mounting

A-Bottom mount



BDL-Lower back mount with flange

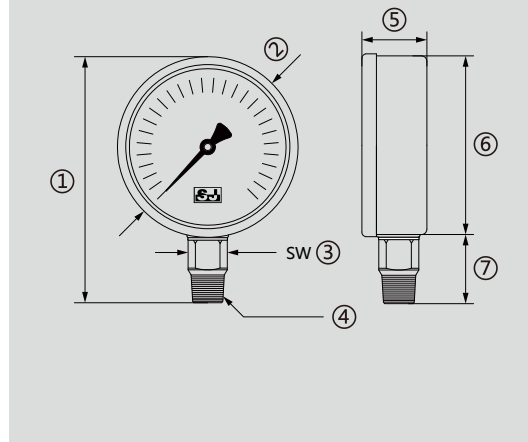


Dimension(mm)

Dimension(mm)		
NS	A	BDL
4"	✓	✓

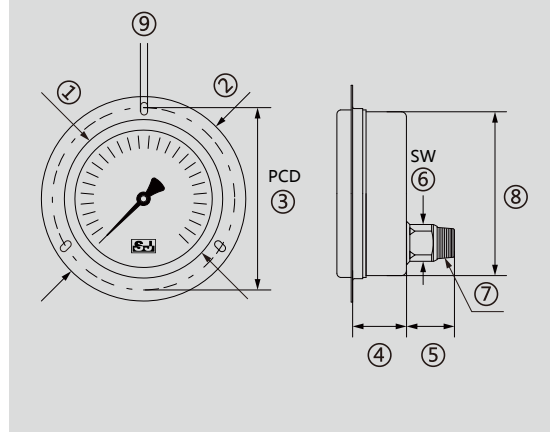
Dimensions

A-Bottom mount



Dimension(mm)							
NS	①	②	③	④	⑤	⑥	⑦
4"	131	101	22	3/4"PT	49	98.4	31.5

BDL-Lower back mount with flange



Dimension(mm)									
NS	①	②	③	④	⑤	⑥	⑦	⑧	⑨
4"	101	128	118.5	20	29	22	1/2"NPT	98	5.5

Codes for Custom Order Configurations

Ex:	PRSSM.DC -	A	4	4	PT	10kg	N	+A
Mounting type		A						
A	- Bottom mount							
BDL	- back mount with flange							
Nominal size			4					
4	- 4"							
OT	- other							
Thread size				4				
2	- 1/4"							
3	- 3/8"							
4	- 1/2"							
+OT	- other							
Thread type					PT			
G	- G							
NPT	- NPT							
PT	- PT							
M	- M							
Pressure range(including unit)						10kg		
Whether to specify the unit?							N	
Y	- Yes, specofy the unit above							
N	- No, accept the other unit							
Other demands								+A
+A	- None							
+B	- Additional order details							

For any changes to the specifications of this catalogue , the latest version shall prevail.

Copyright © 06/2021 by SIN JIA ENTERPRISE COMPANY LIMITED. All rights reserved.

SIN JIA ENTERPRISE COMPANY LIMITED

TEL:+886-2-2550-4512

FAX:+886-2-2550-4510

info@sinjiagauge.com

www.sj-gauge.com

No.3, Ln. 71, Chifeng St., Datong Dist., Taipei City 103, Taiwan

