

Boiler Pressure Gauge

Model : PRST

Feature of Product

- A large panel easy to read the data
- Inside mechanical by stainless steel, able to survive for high temperature
- Have Re-zero button, able to re-zero adjustment by your own.



Product Specification

Nominal size

6", 8", 10"

Thread size

1/2"

Thread type

PT, PF, NPT

Pointer

Black aluminum alloy

Case

Iron ; with Black anti-corrosion coating

Bourdon tube

Stainless steel

Accuracy

1.6%F.S.

Gear set

Stainless steel

Window

Glass or plastic

Dial

Aluminum alloy
(single or double scale)

Optional element

Out border metal frame



Dimensions

Permissible operating temperature

-20~200°C

Permissible operating pressure

For stable pressure source: : 75% F.S.

For unstable pressure pulse: 60% F.S

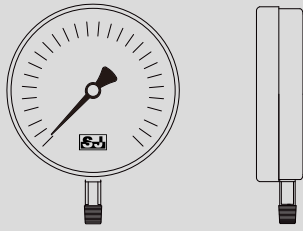
Pressure range

30 inHg Vac. ~ 15,000mm psi

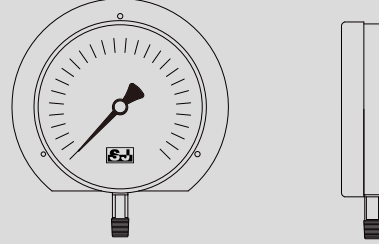
76 cmHg Vac ~ 1000kg/cm²

Dimensions

A Bottom mount



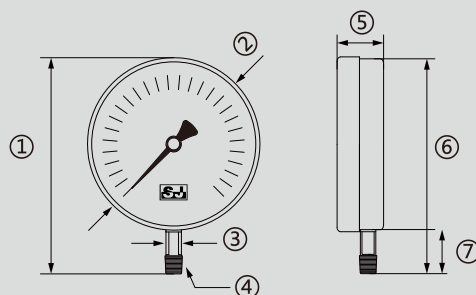
B Bottom mount with out border metal frame



Code		A Bottom mount	B Bottom mount with out border metal frame
NS	8"	✓	✓
	10"	✓	—

Dimensions

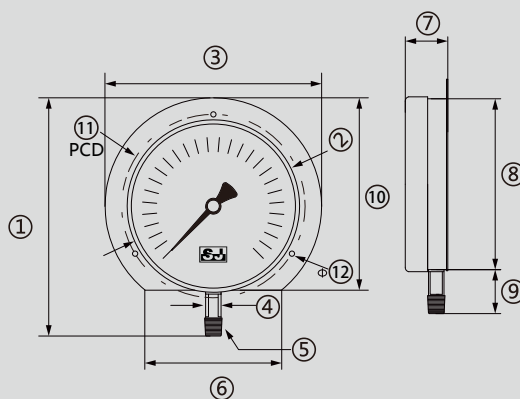
A Bottom mount



Unit:mm

NS \ Code	①	②	③	④	⑤	⑥	⑦
8"	238	199	S19	1/2"PT	47	238	41
10"	295	250	17	1/2"PT	48	295	48

B Bottom mount with out border metal frame



Unit:mm

Code \ NS	①	②	③	④	⑤	⑥	⑦	⑧	⑨	⑩	⑪	⑫
8"	257	217	253	S19	1/2"PT	128	47	197	41	216	217 PCD	Φ4.7

Code for Custom Order Configurations

EX :	PRST -	A	238	1	PT	10KG	N	+A
Mounting type		A						
A	- Bottom mount							
B	- out border metal frame							
Nominal size			238					
6"	- 6"							
8"	- 8"							
10"	- 10"							
Thread size				1				
4	- 1/2							
Thread type					PT			
PT	- PT							
PF	- PF							
NPT	- NPT							
Pressure range (including unit)						10KG		
Whether to specify the unit							N	
Y	- Yes, specify the unit above							
N	- No, accept the other unit							
Other demands								+A
+A	- None							
+B	- Additional order details							

For any changes to the specifications of this catalogue , the latest version shall prevail.
Copyright © 08/2021 by SIN JIA ENTERPRISE COMPANY LIMITED. All rights reserved.

SIN JIA ENTERPRISE COMPANY LIMITED

TEL:+886-2-2550-4512

FAX:+886-2-2550-4510

info@sinjiagauge.com

www.sj-gauge.com

No.3, Ln. 71, Chifeng St., Datong Dist., Taipei City 103, Taiwan

