

Expansion Thermometer

Model: MTG

Feature of product

- The reaction speed of measuring temperature is faster than bimetal
- It is made of stainless steel so it is very durable



Above : With contacts
Below : No contact

Product specification

Nominal size

2.5"、3"、4"、5"、6"

Thread size

1/2" can be customized

Thread type

PT

Pointer

Black aluminum alloy sheet

Measuring range

-50°C~+600°C

Accuracy

±1%F.S. (Ambient temperature ≤ 40°C)

Case

304 stainless steel

Stem length

150mm can be customized

Stem diameter

12mm can be customized

Stem material

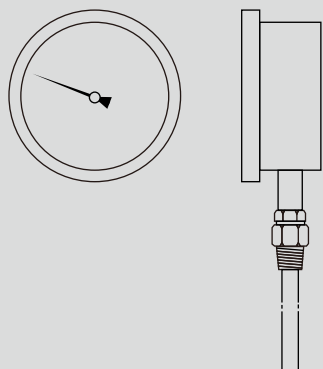
304 stainless steel

Support material

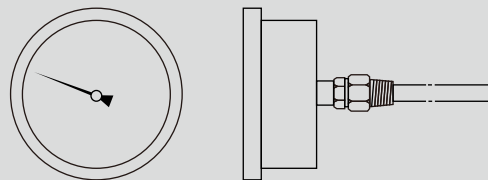
304 stainless steel

Type of mounting

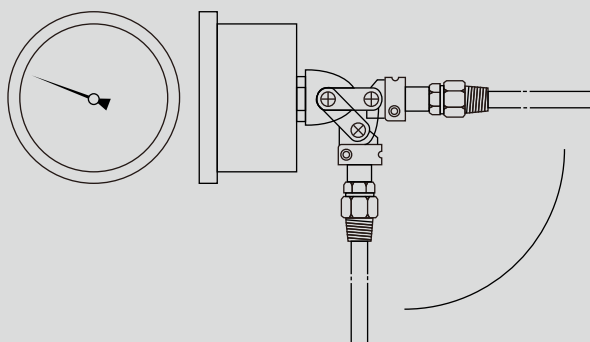
Bottom mount code: MS



Back mount code: MT



Adjustable angle code: MA

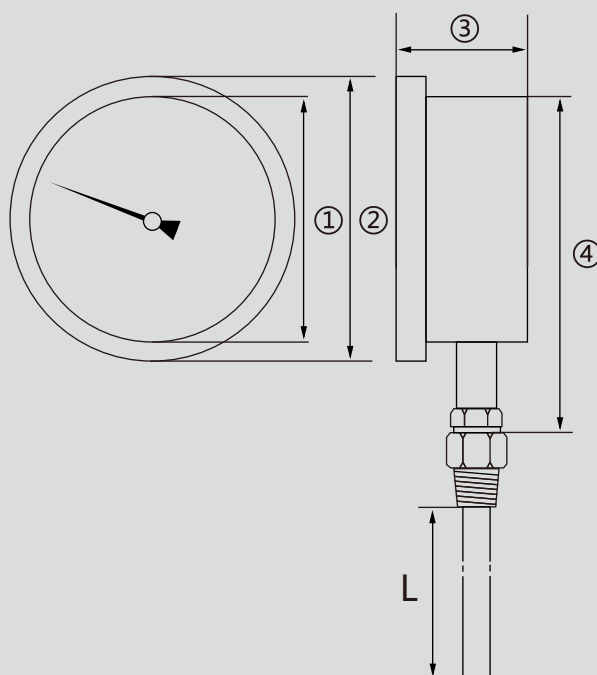


Dimensions in mm

NS	MA	MS	MT
2.5"	✓	✓	✓
3"	✓	✓	✓
4"	✓	✓	✓
5"	✓	✓	✓
6"	✓	✓	✓

Dimensions

Bottom mount code: MS



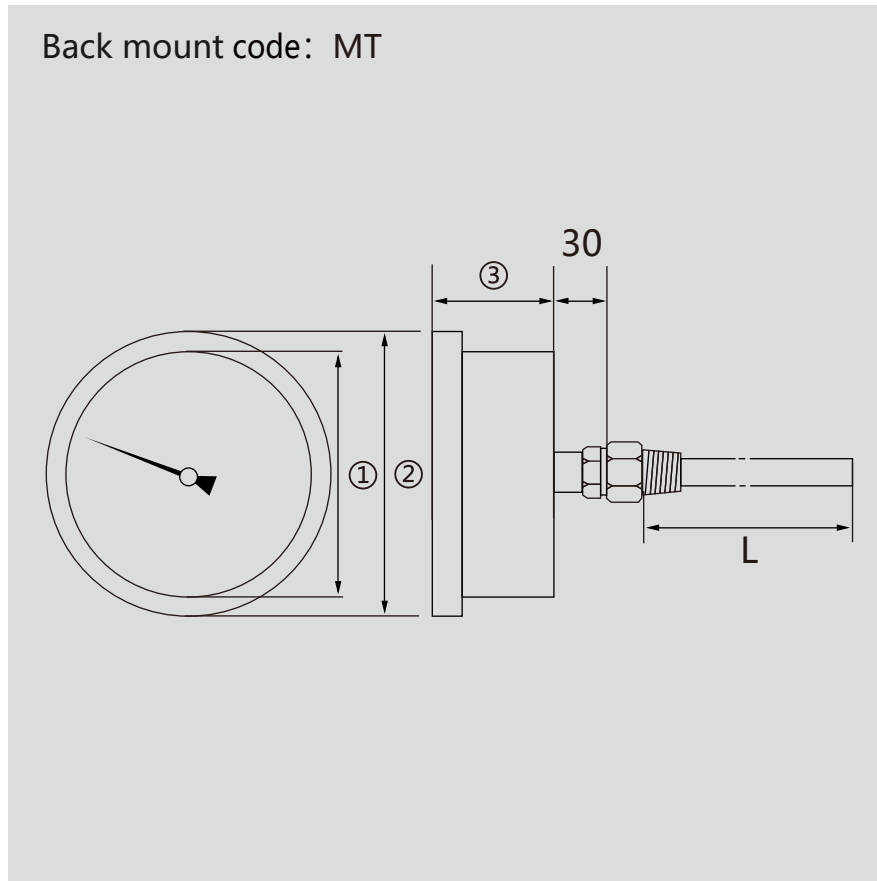
Dimensions in mm				
NS	①	②	③	④
2.5"	55	64	40	90
3"	70	85	47	106
4"	102	119	48 ⁽¹⁾	138
5"	110	127	51	147
6"	140	160	47 ⁽²⁾	178

(1) If MS6 is equipped with electrical contacts, the height of the case (C) is 80mm

(2) MS6 is equipped with electrical contacts, the mirror surface uses an acrylic cover, the height of the acrylic cover is 26mm(single contact)/40mm(double contact)

Dimensions

Back mount code: MT



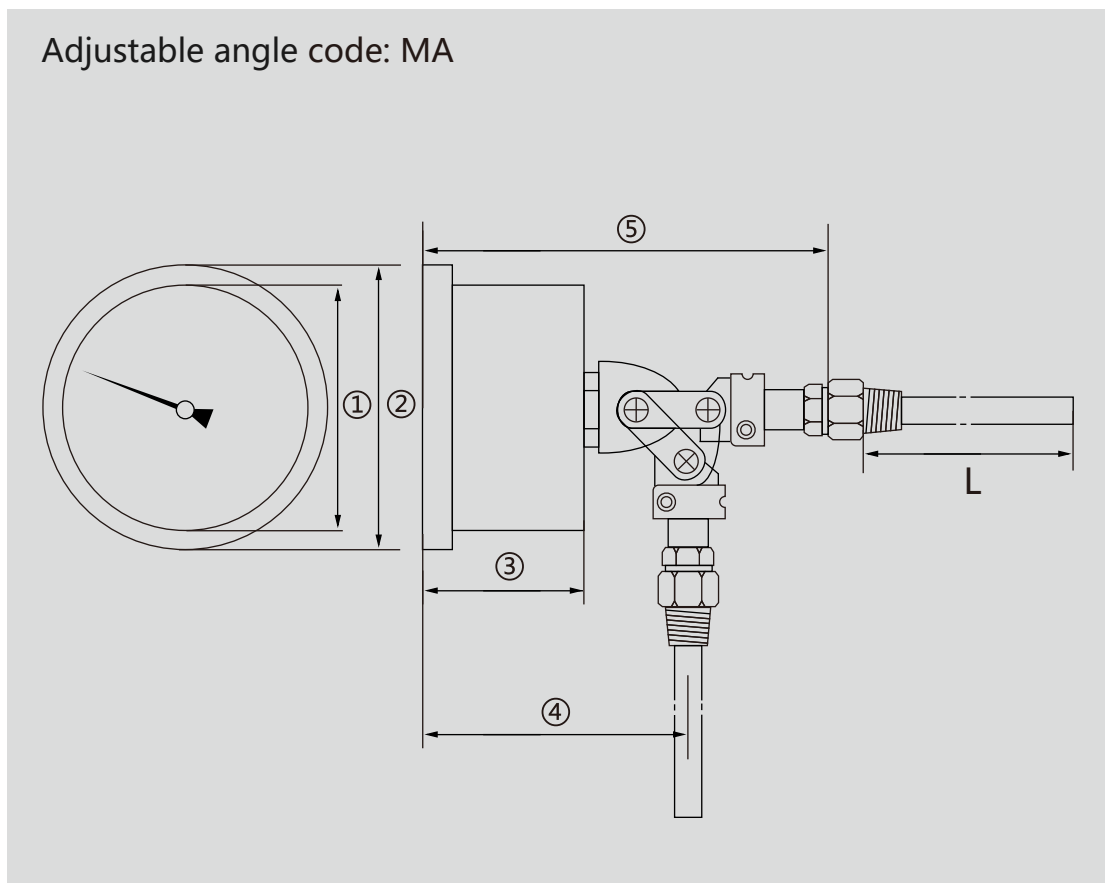
Dimensions in mm			
NS	①	②	③
2.5"	55	64	40
3"	70	85	47
4"	102	119	48 ⁽¹⁾
5"	110	127	51
6"	140	160	47 ⁽²⁾

(1) If MT4 is equipped with electrical contacts, the height of the case (C) is 80mm

(2) MT6 is equipped with electrical contacts, the mirror surface uses an acrylic cover, the height of the acrylic cover is 26mm(single contact)/40mm(double contact)

Dimensions

Adjustable angle code: MA



Dimensions in mm					
NS	①	②	③	④	⑤
2.5"	55	64	40	80	146
3"	70	85	47	87	153
4"	102	119	48 ⁽¹⁾	88	154
5"	110	127	51	91	157
6"	140	160	47 ⁽²⁾	87	153

(1) If MA4 is equipped with electrical contacts, the height of the case (C) is 80mm

(2) MA6 is equipped with electrical contacts, the mirror surface uses an acrylic cover, the height of the acrylic cover is 26mm(single contact)/40mm(double contact)

Codes for custom order configuration

EX:	MTG -	MT	LT	3	100°C	150mm	Y	+A
Type of mounting		MT						
MA	- Adjustable angle							
MS	- Bottom mount							
MT	- Back mount							
Connection type			LT					
N	- Plain stem							
LT	- Loose threaded connection							
TC	- Tri-clamp							
Nominal size				3				
2.5"	- 2.5"							
3	- 3"							
4	- 4"							
5	- 5"							
6	- 6"							
Temperature range(°C, °F)					100°C			
Stem length (with thread)						150mm		
Whether to specify the unit							Y	
Y	- Yes, specify the unit above							
N	- No, accept the other unit							
Other demands								+A
+A	- None							
+B	- Additional order details							

For any changes to the specifications of this catalogue, the latest version shall prevail.
Copyright © 09/2020 by SIN JIA ENTERPRISE COMPANY LIMITED. All rights reserved.

SIN JIA ENTERPRISE COMPANY LIMITED

TEL:+886-2-2550-4512

FAX:+886-2-2550-4510

info@sinjiagauge.com

www.sj-gauge.com

No.3, Ln. 71, Chifeng St., Datong Dist., Taipei City 103, Taiwan

