

# Capillary thermometer

Model : MTR.S

## Feature of product

- A point measurement, B point monitoring
- The distance measurement catheter can be used for distance measurement, facilitating the entire measurement process
- Alarm control contact can be added



Above : No contact  
Below : With contacts

## Product specification

### Nominal size

2.5", 3", 4", 5", 6"

### Measuring range

-50°C ~ +600°C

### Case

304 stainless steel

### Stem length

150mm, or other can be customized

### Stem diameter

12mm, or other can be customized

### Stem material

304 stainless steel (Normal)  
316 stainless steel (Optional)

### Thread size

1/2", or other can be customized

### Thread type

PT, or other can be customized

### Pointer

Black aluminum alloy sheet

### Accuracy

±1% FS

### Dial

Aluminum alloy sheet  
(single or double scale)

### Capillary length

3m ~ 20m

## Product specification

### Contact Type

Single contact N.C.

Single contact N.O.

Double contacts N.O.\*2

Double contacts N.O.+N.C.

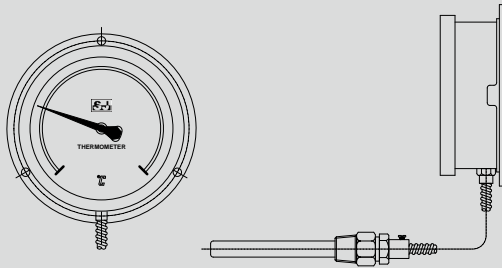
Double contacts N.C.\*2

### Electrical contact specification

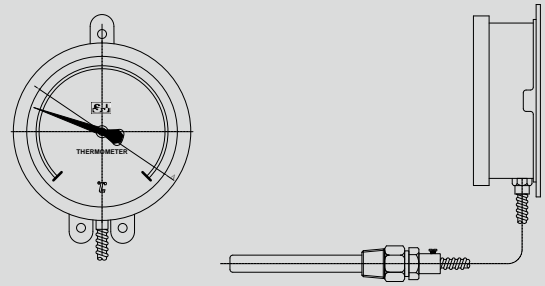
|                       | Magnetic Assist Switch |             |
|-----------------------|------------------------|-------------|
|                       | without liquid-filling | with liquid |
| Rated voltage         | 250V                   | 250V        |
| Contact capacity Max. | 30W/50VA               | 20W/20VA    |
| Ambient temperature   | -20...+70°C            |             |
| Current load :        |                        |             |
| Make rating Max.      | 1.0A                   | 1.0A        |
| Breaking current Max. | 1.0A                   | 1.0A        |
| Continuous load Max.  | 0.6A                   | 0.6A        |

# Type of mounting

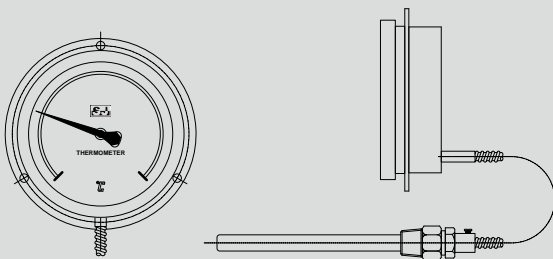
Wall mounting type Code: MW



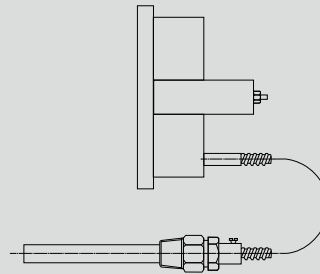
MW 6" three holes Code: MW-6C



Back mount type Code: MF



MF with U-font frame Code: MF-U

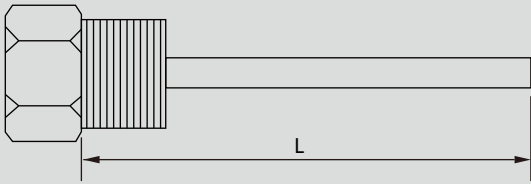


| Size \ Code | MF | MW | MW-6C | MF-U |
|-------------|----|----|-------|------|
| 2.5"        | ✓  | ✓  | -     | ✓    |
| 3"          | ✓  | ✓  | -     | ✓    |
| 4" *        | ✓  | ✓  | -     | ✓    |
| 5"          | ✓  | ✓  | -     | ✓    |
| 6" *        | ✓  | ✓  | ✓     | ✓    |

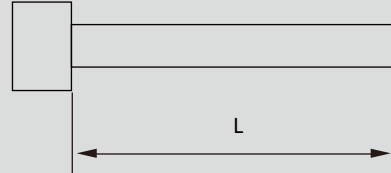
\* 4" 、 6" can equipped with electrical contacts

## Connection type

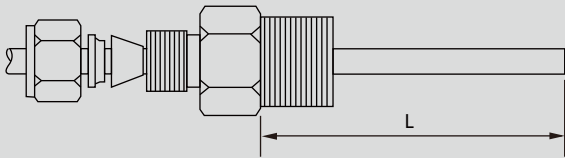
Male thread connection Code: MT



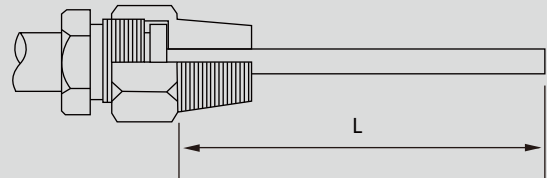
Plain stem Code: N



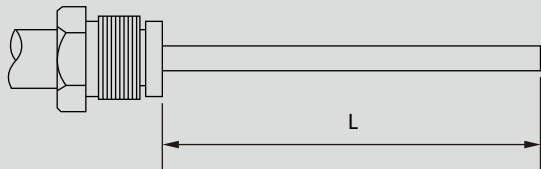
Compression fitting Code: CF



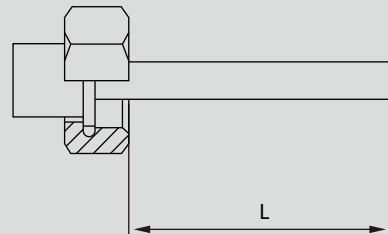
Loose threaded connection Code: LT



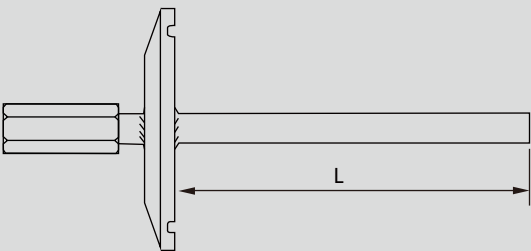
Single loose thread Code: MN



Union nut Code: UN

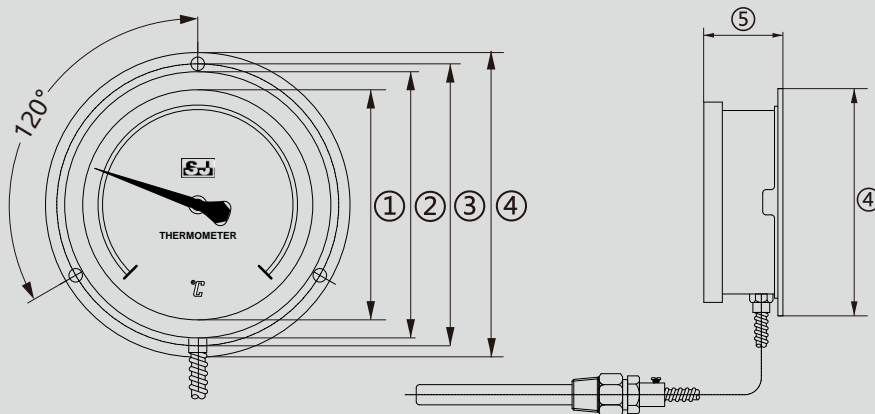


Tri-clamp Code: TC



## Dimensions

Wall mounting type code: MW



Dimensions in mm

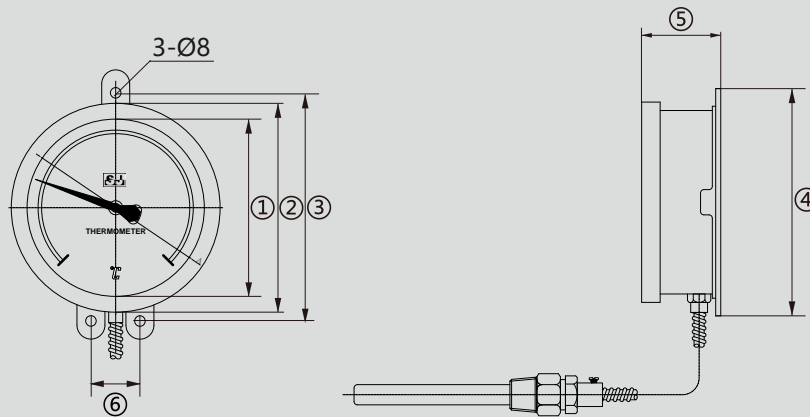
| NS   | ①   | ②   | ③   | ④   | ⑤  |
|------|-----|-----|-----|-----|----|
| 2.5" | 55  | 64  | 75  | 88  | 40 |
| 3"   | 70  | 85  | 91  | 102 | 47 |
| 4"   | 102 | 119 | 123 | 137 | 48 |
| 5"   | 110 | 127 | 131 | 145 | 51 |
| 6"   | 140 | 160 | 176 | 191 | 47 |

(1) If MW4 is equipped with electrical contacts, the height of the case (⑤) is 80mm

(2) MW6 is equipped with electrical contacts, the mirror surface uses an acrylic cover, the height of the acrylic cover is 26mm(single contact)/40mm(double contact)

## Dimensions

Wall mounting type code: MW-6C



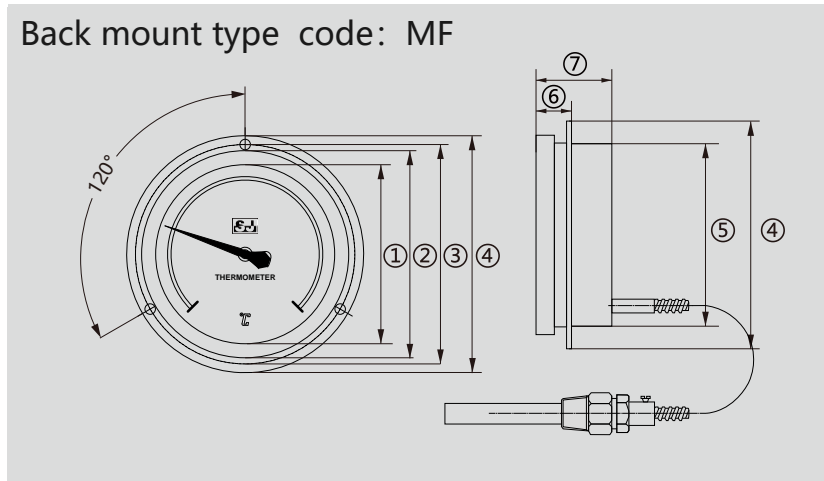
Dimensions in mm

| NS | ①   | ②   | ③   | ④   | ⑤  | ⑥  |
|----|-----|-----|-----|-----|----|----|
| 6" | 140 | 160 | 187 | 210 | 47 | 51 |

MW-6C is equipped with electrical contacts, the mirror surface uses an acrylic cover, the height of the acrylic cover is 26mm(single contact)/40mm(double contact)

## Dimensions

Back mount type code: MF

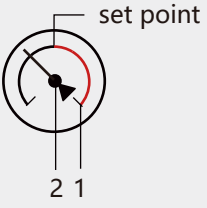
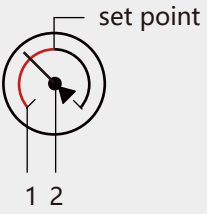
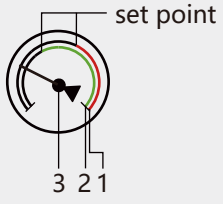
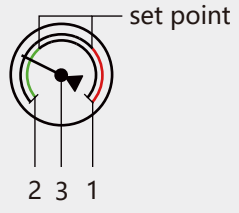
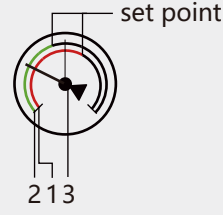


| Dimensions in mm |     |     |     |     |     |    |    |
|------------------|-----|-----|-----|-----|-----|----|----|
| NS               | ①   | ②   | ③   | ④   | ⑤   | ⑥  | ⑦  |
| 2.5"             | 55  | 64  | 75  | 88  | 63  | 16 | 40 |
| 3"               | 70  | 85  | 91  | 102 | 76  | 16 | 47 |
| 4"               | 102 | 119 | 123 | 137 | 108 | 22 | 48 |
| 5"               | 110 | 127 | 131 | 145 | 117 | 18 | 51 |
| 6"               | 140 | 160 | 176 | 191 | 148 | 18 | 47 |

(1) If MF4 is equipped with electrical contacts, the height of the case (⑦) is 80mm

(2) MF6 is equipped with electrical contacts, the height of the mirror surface using acrylic cover is 26mm (single contact)/40mm (double contact)

# Contact type

| Single contact  |  |
|---|--|
|    | <p>When the pointer runs clockwise and exceeds the set point<br/>           Contact 1:contact makes<br/>           2R : Single contact N.O.</p>                                  |
|    | <p>When the pointer runs clockwise and exceeds the set point<br/>           Contact 1:contact breaks<br/>           2G : Single contact N.C.</p>                                 |
| Double contact  |  |
|   | <p>When the pointer runs clockwise and exceeds the set point<br/>           Contact 1:contact makes, Contact 2:contact makes<br/>           3RR : Double contacts N.O.*2</p>     |
|  | <p>When the pointer runs clockwise and exceeds the set point<br/>           Contact 1:contact makes, Contact 2:contact breaks<br/>           3RG : Double contacts N.O.+N.C.</p> |
|  | <p>When the pointer runs clockwise and exceeds the set point<br/>           Contact 1:contact breaks, Contact 2:contact breaks<br/>           3GG : Double contacts N.C.*2</p>   |

\* Note: Special contact type can be customized





## Codes for custom order configuration

EX: MTR.S - MW MT 4 G 3m 100°C Y 150mm 12mm +A

### Type of mounting

|       |   |                      |
|-------|---|----------------------|
| MW    | - | Wall mounting type   |
| MW-6C | - | MW 6" three holes    |
| MF    | - | Back mount type      |
| MF-U  | - | MF with U-font frame |

### Connection type

|    |   |                           |
|----|---|---------------------------|
| MT | - | Male thread               |
| N  | - | Plain stem                |
| CF | - | Compressing fitting       |
| LT | - | Loose threaded connection |
| MN | - | Single loose thread       |
| UN | - | Union nut                 |
| TC | - | Tri-clamp                 |

### Nominal size

|     |   |      |
|-----|---|------|
| 2.5 | - | 2.5" |
| 3   | - | 3"   |
| 4   | - | 4"   |
| 5   | - | 5"   |
| 6   | - | 6"   |

### 接點型式

|     |   |                           |
|-----|---|---------------------------|
| 2G  | - | Single contact N.C.       |
| 2R  | - | Single contact N.O.       |
| 3RR | - | Double contacts N.O.*2    |
| 3RG | - | Double contacts N.O.+N.C. |
| 3GG | - | Double contacts N.C.*2    |

### Capillary length (meter)

|    |       |
|----|-------|
| 3m | 100°C |
|----|-------|

### Temperature range(°C, °F)

|   |
|---|
| Y |
|---|

### Whether to specify the unit

|   |   |                             |
|---|---|-----------------------------|
| Y | - | Yes, specify the unit above |
| N | - | No, accept the other units  |

### Stem length (with thread)

|       |
|-------|
| 150mm |
|-------|

### Stem diameter

|      |
|------|
| 12mm |
|------|

### Other demands

|    |   |                          |
|----|---|--------------------------|
| +A | - | None                     |
| +B | - | Additional order details |

For any changes to the specifications of this catalogue, the latest version shall prevail.  
Copyright © 08/2021 by SIN JIA ENTERPRISE COMPANY LIMITED. All rights reserved.

SIN JIA ENTERPRISE COMPANY LIMITED

TEL:+886-2-2550-4512

FAX:+886-2-2550-4510

info@sinjiagauge.com

www.sj-gauge.com

No.3, Ln. 71, Chifeng St., Datong Dist., Taipei City 103, Taiwan

