

Model VMWL-P series

Wireless Pressure Transmitter WSN(Wireless sensor network), GPRS

Description

VMWL-P is Wireless Pressure transmitter with wireless communication function. It uses isolated stainless steel piezo-resistive pressure sensor as sensing element, specific IC for temperature compensation of zero and FS thermal error, battery for exciting. Wireless signal transmission conforms to WSN (Wireless sensor network) & GPRS internet protocol. Multiple WL can make up of WSN & GPRS internet system. It can be used for monitoring the actual data in a large scale, such as gas tank water seal detection, oil tank detection and industrial automation control detection etc. It is mainly applied in fields like petroleum, coal, tap water and automation control etc.

Features

- Measuring ranges from 100mbar to 1000bar
- Long life for battery,
- LCD display,
- Wireless output signal
- High accuracy, quick response
- High sampling frequency, anti-interference
- Low power consumption of the system
- Key operation, setting on the worksite
- Shock-proof, moisture-proof



Application

- Hydraulic and pneumatic
- Machine building
- Pumps
- Water treatment
- IoT pressure measurement

Technical data

Performance

Accuracy*	0.25%FS@25°C(Min.) 0.5%FS@25°C(Typ.)	*Linearity (best straight line) + Hysteresis +
Operating Temperature	-20 to 85°C	
Compensated Temperature Range	-10 to 70°C	
Long Term Stability	0.2 %FS	

Electrical @25°C

Output signal / Supply	WSN (Wireless sensor network), GPRS, 4G, LoRa, LoRaWAN, , and NB-IoT
RF Frequency	430 MHz/470 MHz
Power supply	3.6V battery or 12/24VDC
Maximum range in open area	1km (max.)
Transmit power	20dbm(Adjustable)
Transmit interval	1s-255s (User definable)

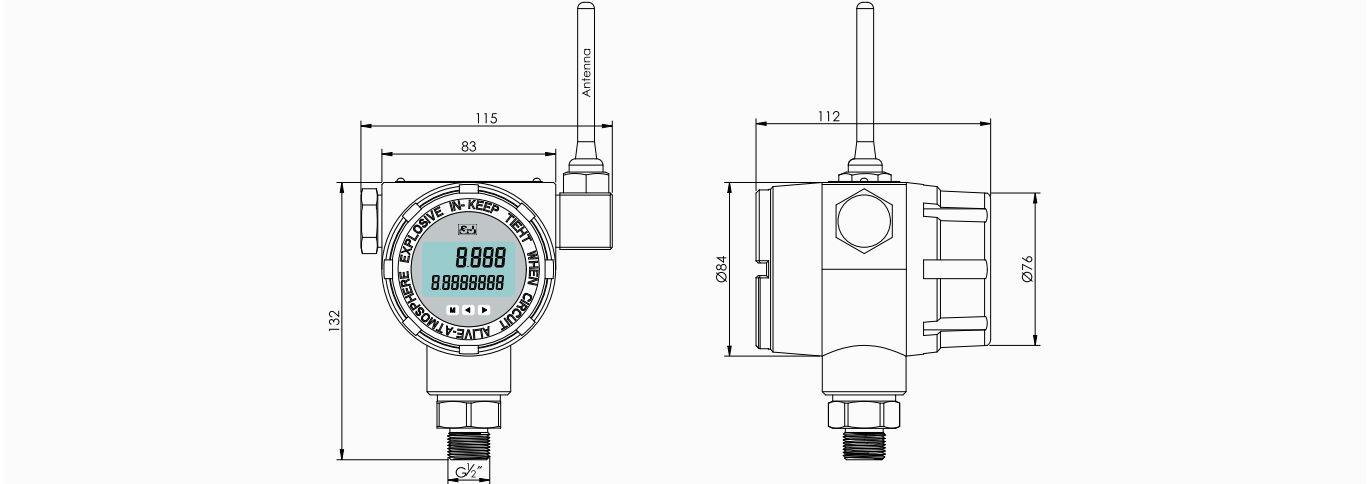
Physical Specifications

Housing	Aluminum
Diaphragm	316L stainless steel
Sealing	NBR or Viton O-ring
Oil Filling	Silicone oil
Protection	IP67
Weight	~1kg(without cable)

Model VMWL-P series

Wireless Pressure Transmitter WSN(Wireless sensor network), GPRS

Dimensions (All dimensions in mm)



Ordering code

Model	VMWL	
Type of measurement	P	Pressure measurement
Type of communication	W	WSN(Wireless sensor network)
	G	GPRS communication
Measuring range	[0~x]bar	-1~0,...,0.1,...,1000bar
Pressure type	G	Gauge pressure
	A	Absolute pressure
Process/Material	G1	Thread G1/2"
	G2	Thread G1/4"
	G3	Thread 1/2"NPT
	G4	Thread 1/4"NPT
	G5	Thread M20x1.5
	G6	Thread PT1/4"
	G7	Thread PT1/2"
	C8	Clamp 1.5"
	C9	Clamp 2"
	F1	Flange DN50,DN80,DN100,...,DN250/304SS
Fx	Special design	
Housing/Protection Level	A	Aluminum/IP67
Cable Entry	M	M20x1.5
	N	1/2"NPT
Power	B	3.6V battery
	C	12VDC
	D	24VDC
	S	solar panel
Approval	P	Standard (Non explosion proof)
	I	Intrinsically Safe (Ex ia IIC T6)
	D	Flameproof Approval (Ex d IIC T6)

Order Note

1. Please pay attention that the media should be compatible with contacting material;
2. If the user has special requirement, please feel free to contact our company.

