

Product introduction

Description



Main parameters

Measuring range	-50 - 400°C
Output signal	4-20mA
Reference accuracy	±0.5% URL

Measuring medium

The fluid which compatible with wetted parts

Field of application

Temperature measurement

Approvals





Technical Specifications

Measuring range and limit

-50-400°C, min measuring range 100°C

The unit of the measuring range above can be converted into °F or K. Provide other measuring range according to requirements. Adjust requirements: lower range value (LRV) and upper range value (URV) can be adjusted within the scope of the upper and lower range limit, minimum measuring range $\leq |URV - LRV| \leq$ maximum measuring range

Standard specifications and reference conditions

Test standard: GB/T30121 / IEC60751; Zero based-calibration span, 4-20mA analog output

Performance specifications

The overall performance including but not limited to 【reference accuracy】 , 【environment temperature effects】 and other comprehensive error

Typical accuracy: $\pm 0.5\%$ URL

Stability: superior to $\pm 0.05\%$ URL or 0.1°C/year, whichever is greater@ under the checking condition

Reference accuracy

Including linearity, hysteresis and repeatability. calibration temperature: 20°C \pm 5°C

Linear output accuracy	Typical	$\pm 0.5\%$ URL	Full scale

Ambient temperature effects(reference accuracy: 22°C)

$\leq \pm 0.005\%$ URL/°C, temperature 22°C

Power supply effects

$\leq \pm 0.01\%$ URL/V, power supply 24V(refer to full scale output 20mA)

Loading effects

$\leq \pm 0.02\%$ URL/100Ω(refer to full scale output 20mA)

Vibration effects

According to IEC60068-2-6 , 4g/2... 100HZ

Output signal

Signal	Type	Output
4-20mA	Linearity	Two wire

Insulation resistance

$\geq 20M\Omega$ @ reference, 100VDC

Power supply

Items	Operating conditions
Power consumption	$\leq 500mW$ @24VDC, 20.8mA

Damping time

Total damping time constant: equal to the sum of damping time of amplifier and sensor capsule

Reaction time: $\leq 10s$ @ water flow 0.4m/s, outer diameter: 6mm



Technical Specifications

Environment condition

Items	Operational condition
Media temperature	-40-85°C, integrated LCD display: -20-70°C
Storage temperature	-40-100°C, integrated LCD display: -20-70°C
Working humidity	0-95%RH
Proction class	Stainless steel housing with aviation plug, IP67

Reaction time(Test standard: IEC60751, ≤10s@ water flow 0.4m/s)

Thermal protection tube				
Outer diameter	Reaction time	Reducing pipe 5.3mm	Cone-shaped tube 6.6mm or 9mm	Straight tube
10mm(wall thickness 1 mm)	t50	7.5s	11s	18s
	t90	21s	37s	55s
12mm(wall thickness 1 mm)	t50	7.5s	-	18s
	t90	21s	-	55s
16mm(wall thickness 1 mm)	t50	-	11s	38s
	t90	-	37s	125s

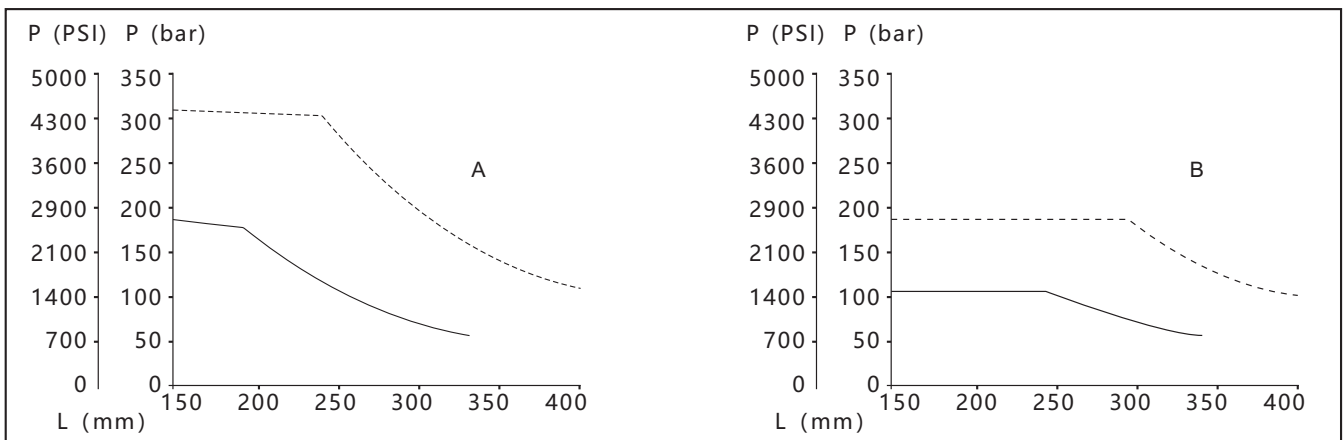
Note: The reaction time above don't include the reaction time of temperature transmitter.

Mounting requirements

Mounting direction	None
Mounting position	Pipe、tube or others
Insertion length	The smallest insertion length should 8 times outer diameter of thermal protection tube, and the end of the probe should reach or surpass the pivot of the tube.

Please consider technique datas and process connection parameters(such as medium flow rate、 process pressure and so on) before confirm the insertion length of the transmitter.

Process pressure(The process pressure beared by thermal protection tube changes along with medium temperature, see chart below)



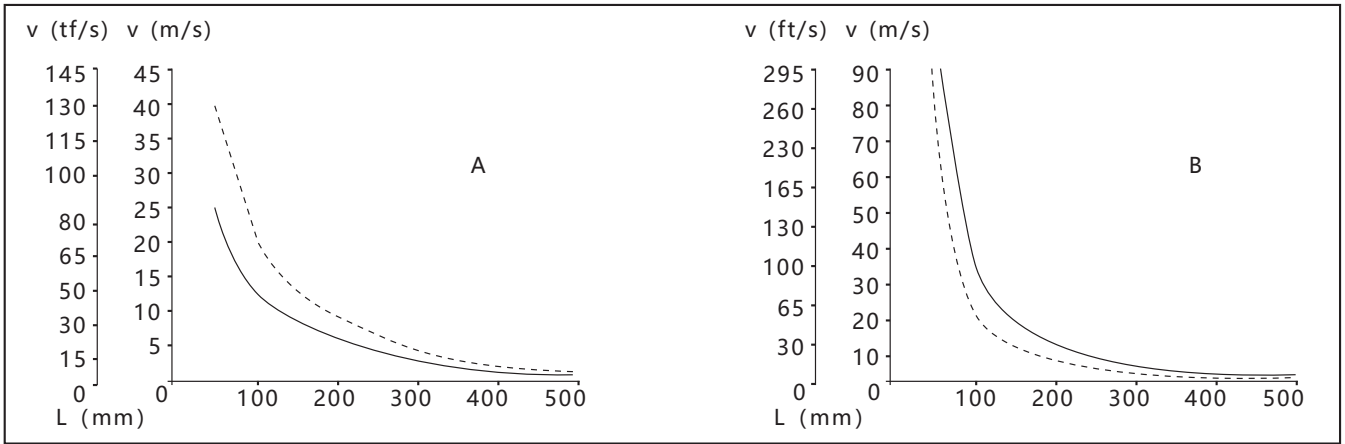
—————	Tube diameter 10mm tube wall thickness 1mm	A: water, T=50°C	L: immersion depth
- - - - -	Tube diameter 12mm tube wall thickness 2mm	B: superheated steam, T=400°C	P: process pressure

For any changes to the specifications of this catalogue.the latest version shall prevail.



Technical Specifications

Maximum medium flow rate(The maximum medium flow rate beared by thermal protection tube reduces with insertion length increases, see chart below)



—————	Tube diameter 10mm	tube wall thickness 1mm	A: water, T=50°C	L: immersion depth
-----	Tube diameter 12mm	tube wall thickness 2mm	B: superheated steam, T=400°C	V: flow rate

EMC environment(not RS485 signal output)

NO.	Test items	Basic standards	Test conditions	Performance level
1	Radiated interference	GB/T 9254/CISPR22	30MHz-1000MHz	OK
2	Conducted interference (DC power port)	GB/T 9254/CISPR22	0.15MHz-30MHz	OK
3	Electrostatic discharge immunity test (ESD)	GB/T 17626.2/IEC61000-4-2	4kV(Contact), 8kV(Air)	B(Note2)
4	Immunity to radio frequency EM-fields	GB/T 17626.3/IEC61000-4-3	10V/m(80MHz-1GHz)	A(Note1)
5	Power frequency magnetic field Immunity test	GB/T 17626.8/IEC61000-4-8	30A/m	A(Note1)
6	Electrical fast transient / Burst Immunity Test	GB/T 17626.4/IEC61000-4-4	2kV(5/50ns, 100kHz)	B(Note2)
7	Surge immunity requirements	GB/T 17626.5/IEC61000-4-5	1kV(Line to line) 2kV(Line to ground) (1.2us/50us)	B(Note2)
8	Immunity to conducted disturbances induced by radio frequency fields	GB/T 17626.6/IEC61000-4-6	3V(150kHz-80MHz)	A(Note1)

(Note 1)Performance level A: The performance within the limits of normal technical specifications.

(Note 2)Performance level B: Temporary reduction or loss of functionality or performance, it can restore itself. The actual operating conditions, storage and data will not be changed.

Product selection instruction

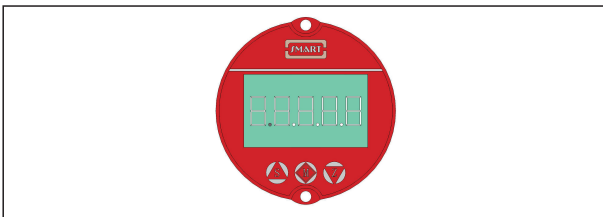
Pressure sensor types

Code	Nominal value	Description
R1	Sensor types	PT100RTD

Transmission module

Code	Items	Description
F	Output signal	4-20mA two wire, power supply: 10-30VDC
C	Display	With LCD display
A		Without display

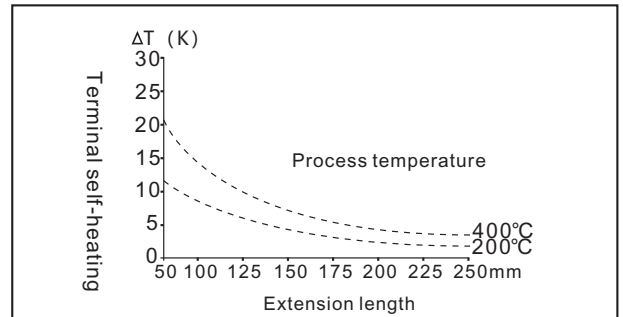
Display module(C)



Extension tube selection

Code	Items	Description
Q1	Specifications	None
Q2		Material: SUS304, length: 50mm, outer diameter
Q3		Material: SUS304, length: 100mm, outer diameter
Q4		Material: SUS304, length: 150mm, outer diameter
Q5		Material: SUS304, length: 200mm, outer diameter

Extension tube length



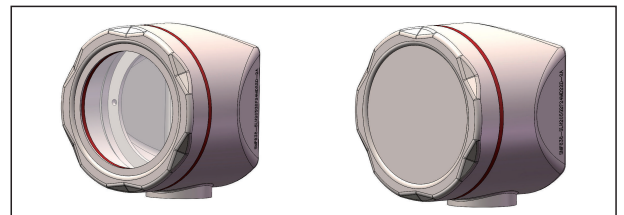
The relation chart of thermal resistance terminal self-heating and process temperature

Terminal temperature = environment temperature + terminal self-heating

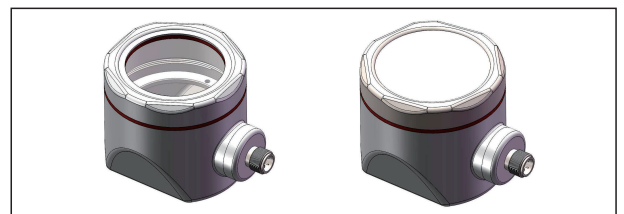
Electrical connection

Code	Item	Description
F1	Electrical connection	Stainless steel terminal, aviation plug M12*1 (4 pin) (H2), IP67, vertical mounting
F2		Stainless steel terminal, aviation plug M12*1 (4 pin) (H2), IP67, horizontal mounting

Housing(F1)

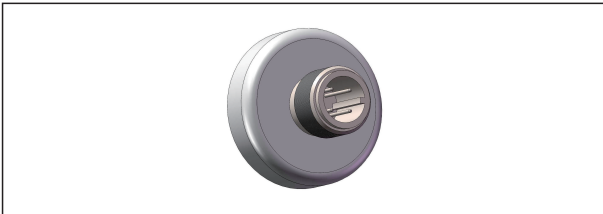


Housing(F2)



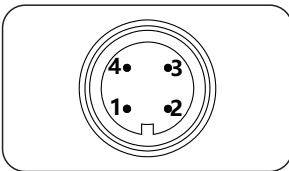
Product selection instruction

Aviation plug, M12*1, 4 pin(H2)



Electrical connection

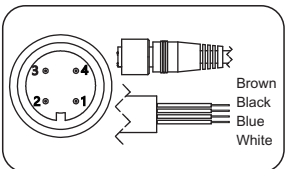
Air plug, M12*1, 4 pin(H2)



Label	Two wires
1	Power+
2	
3	
4	Power-

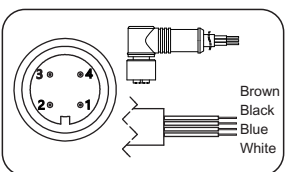
Electrical connection accessory

Aviation plug straighter(J1)



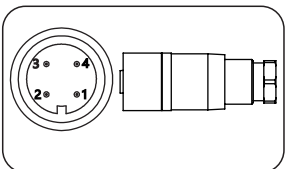
label	Two wires
1/Brown	Power+
2/White	
3/Blue	
4/Black	Power-

Aviation plug elbow(J2)



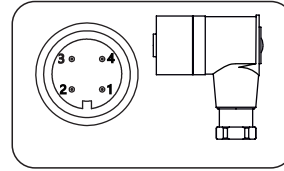
label	Two wires
1/Brown	Power+
2/White	
3/Blue	
4/Black	Power-

Aviation plug straighter(J4)



label	Two wires
1	Power+
2	
3	
4	Power-

Aviation plug elbow(J5)



label	Two wires
1	Power+
2	
3	
4	Power-

Process connection select instruction

Code	Items	Description
G	Mounting type	Fixed process connection mounting
H		Movable process connection mounting
4	Material	SUS304
6		SUS316
M01	Process connection specifications	M20*1.5(M), GB/T192-2003
G01		G1/2(M), EN837
R01		1/2-14NPT, ANSI/ASME B1.20.1
K01		Tri-Clamp 1-1/2"
K02		Tri-Clamp 2"

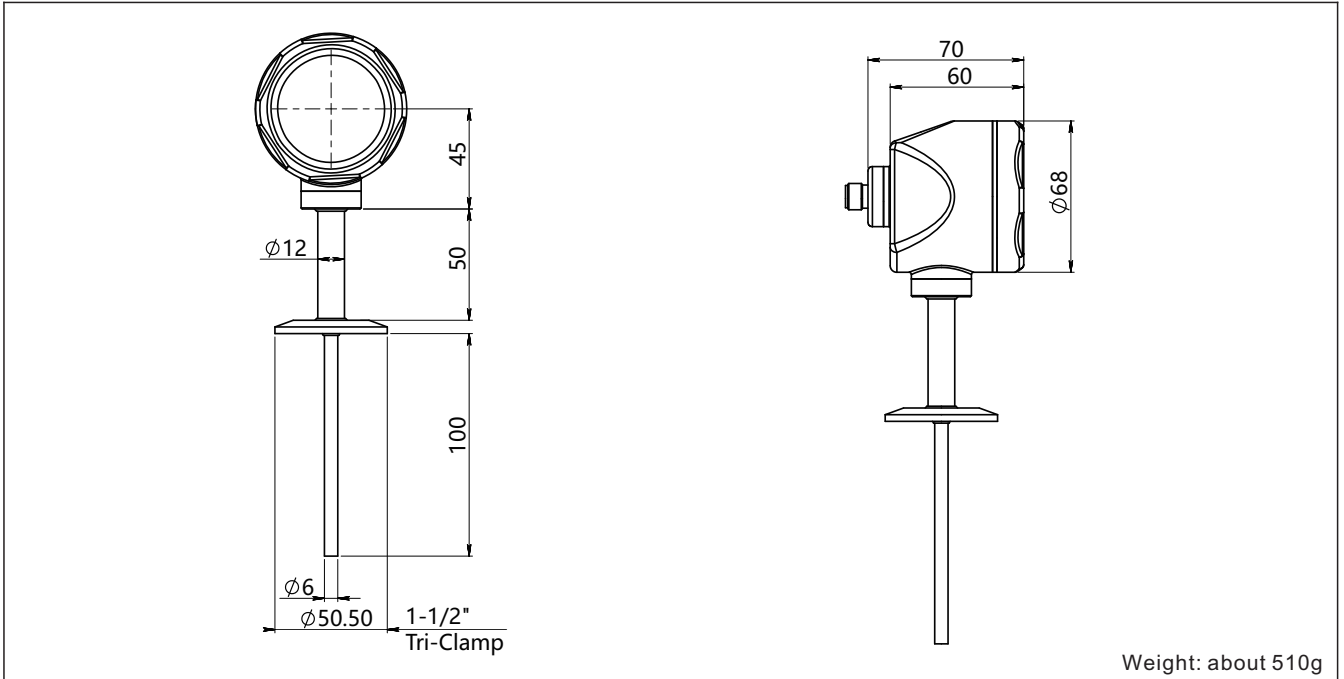
Insertion probe select instruction

Code	Items	Description
D1	Outer diameter	Diameter: 6mm, probe material is same as process connection material
D2		Diameter: 8mm, probe material is same as process connection material
D3		Diameter: 10mm, probe material is same as process connection material
D4		Diameter: 12mm, probe material is same as process connection material
D5		Diameter: 16mm, probe material is same as process connection material
LXXX	Insertion length	Customized insertion length: 0 < LXXX < 3000mm, samples: 200mm=L0200, the minimum gap is 50mm of customized insertion length. Default insertion length includes thread specifications

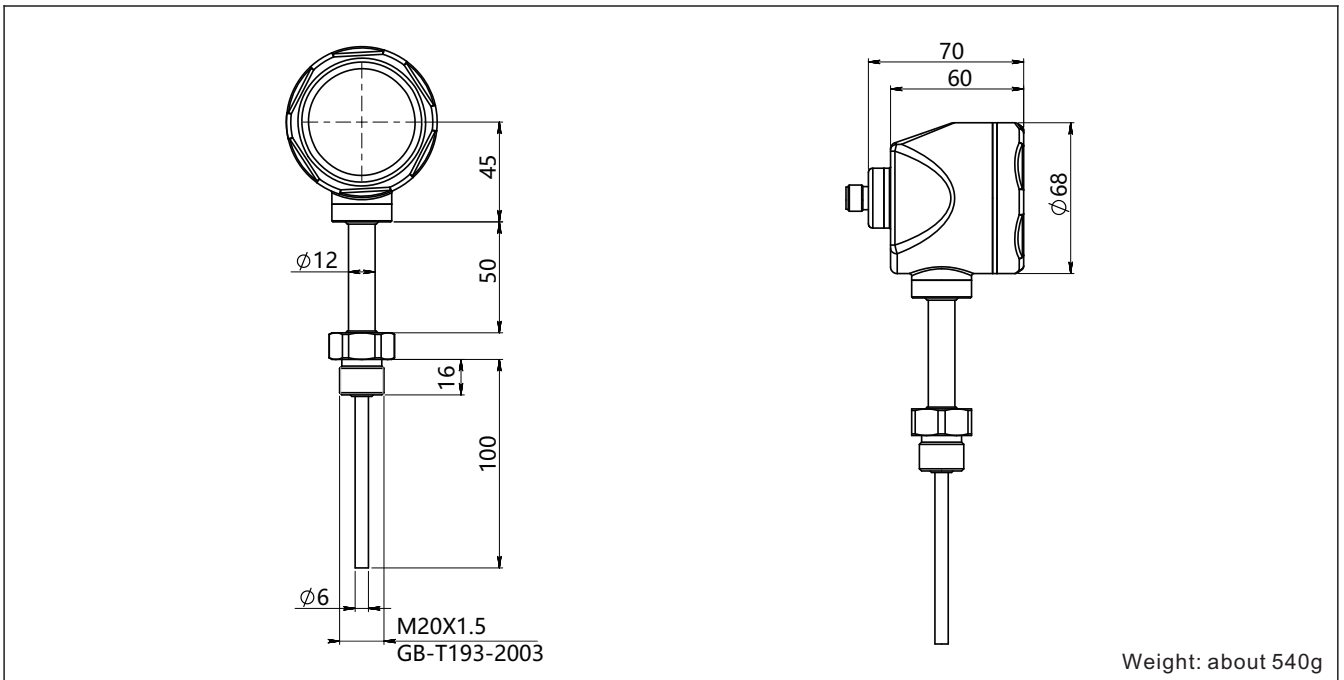


Product drawing and dimension

Drawing and dimension (Tri-Clamp) with display (C) / without display (A) vertical installation(F1) (unit:mm)

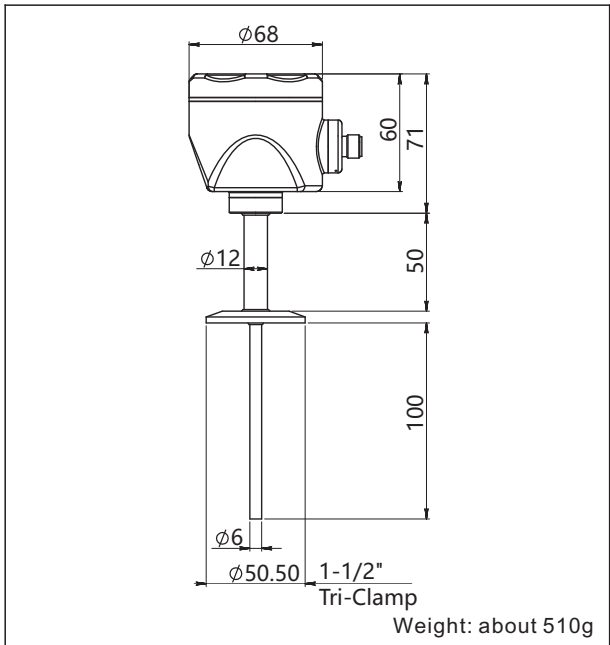


Drawing and dimension (Thread) with display (C) / without display (A) vertical installation(F1) (unit:mm)

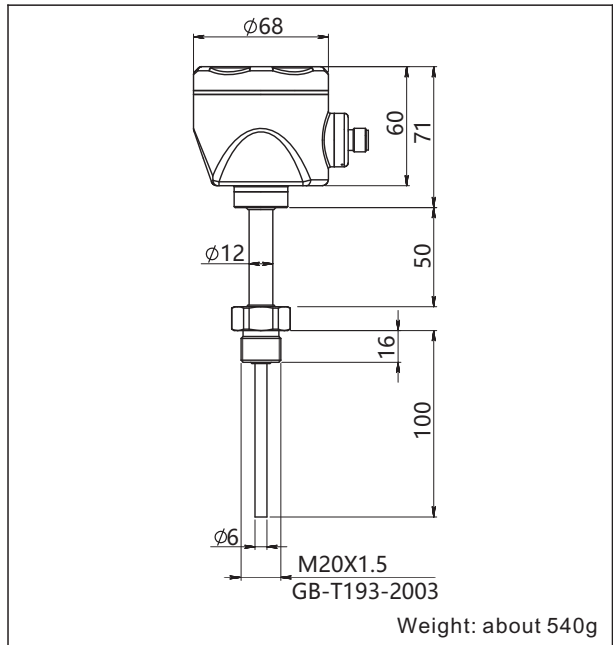


Product drawing and dimension

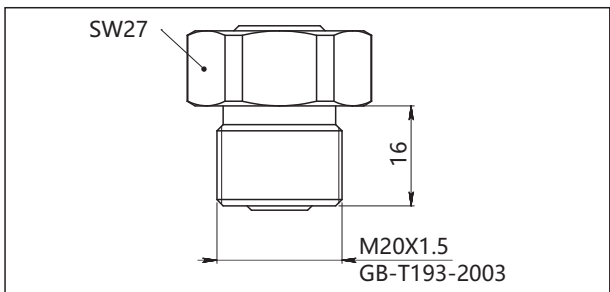
Drawing and dimension (Tri-Clamp) with display (C) / without display (A) horizontal installation(F2) (unit:mm)



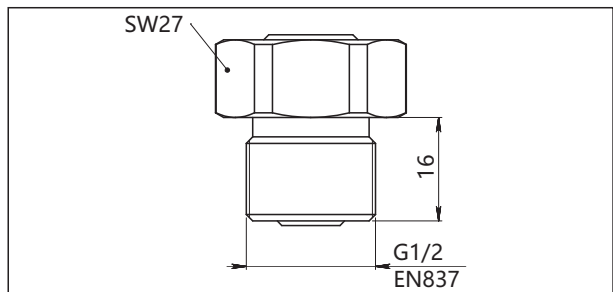
Drawing and dimension (Tri-Clamp) with display (C) / without display (A) horizontal installation(F2) (unit:mm)



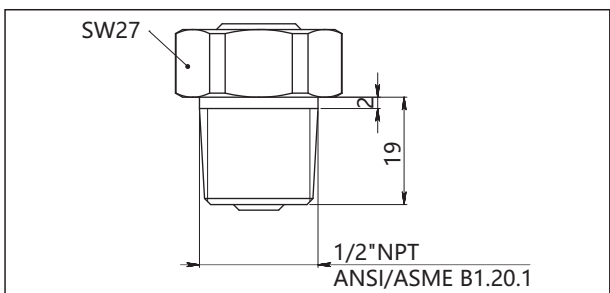
Process connection(M01) (unit: mm)



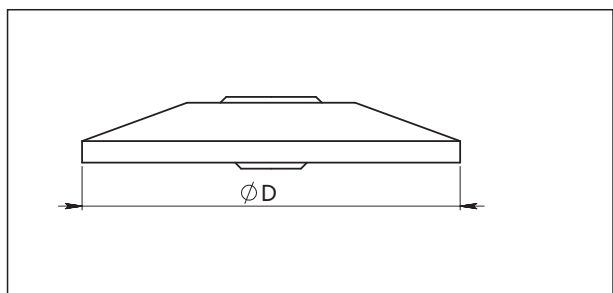
Process connection(G02) (unit: mm)



Process connection(R01) (unit: mm)



Process connection(K01-K02) (unit: mm)

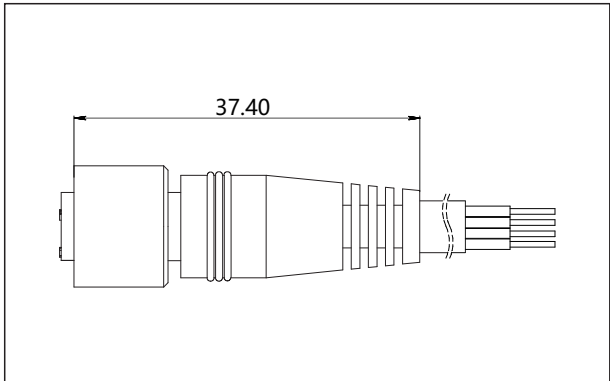


Standard	Specification	Size(̢D)
Tri-Clamp	1-1/2"	50.5
Tri-Clamp	2"	64

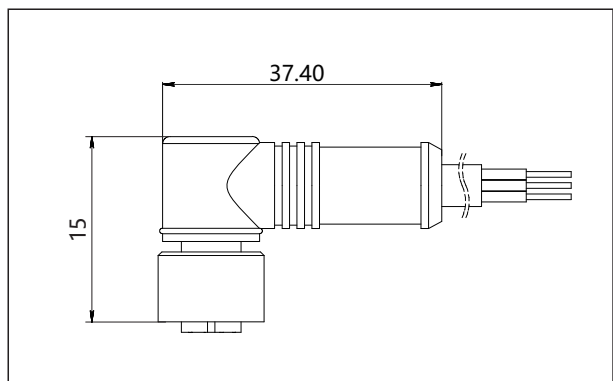
For any changes to the specifications of this catalogue.the latest version shall prevail.

Product drawing and dimension

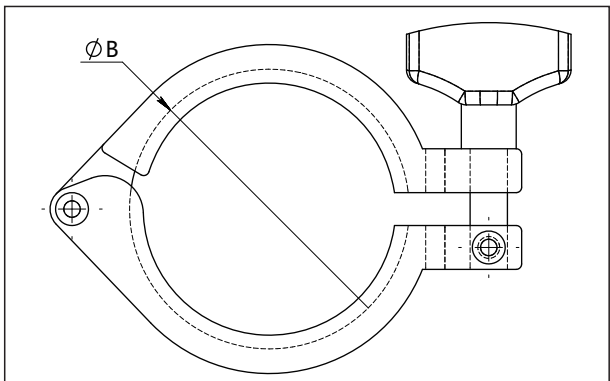
Aviationfemale plug straighter(J1) (unit: mm)



Aiviation female plug elbow(J2) (unit: mm)

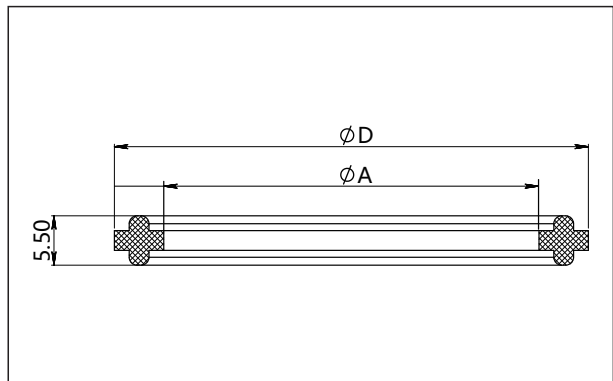


Tri-Clamp(G1-G2) (unit: mm)



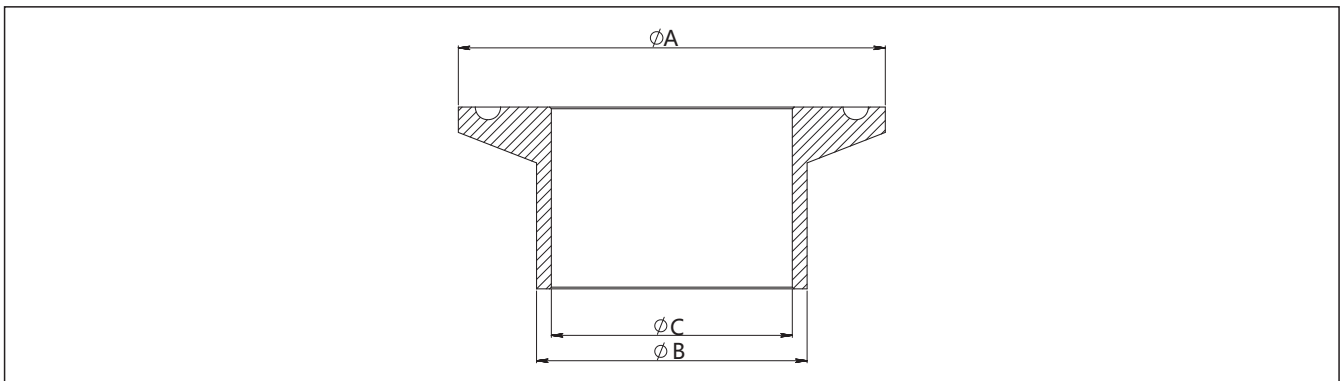
Standard	Specification	Size(ΦB)
Tri-Clamp	1-1/2"	53.9
Tri-Clamp	2"	67.4

Seal ring(M1-M2) (unit: mm)



Standard	Specification	Size(ΦD)	Size(ΦA)
Tri-Clamp	1-1/2"	50.5	35
Tri-Clamp	2"	64	47.8

Welding adaptor (Z1-Z2)(unit: mm)



Standard	Specification	Size(ΦA)	Size(ΦB)	Size(ΦC)
Tri-Clamp	1-1/2"	50.5	38	35.6
Tri-Clamp	2"	64	51	48.6

For any changes to the specifications of this catalogue.the latest version shall prevail.



Ordering information chapter

Item	Parameters	Code	Instruction	(*)Fast delivery available
	Model	MSLG200-FRF	Integrated thermal resistance tepmerature transmitter	
Sensor	Separator	-	Detailed specifications as following	
	Pressure range code	R1	PT100RTD	*
Electrical connection	Separator	-	Detailed specifications as following	
	Electrical connection	F1	Stainless steel termimal, aviation plug M12*1 (4 pin) (H2), IP67,vertical mounting	*
		F2	Stainless steel termimal, aviation plug M12*1 (4 pin) (H2), IP67, horizontal mounting	*
	Cable entry protector	R0	None	
Output	Separator	-	Detailed specifications as following	
	Output signal	F	4-20mA two wire, power supply: 10-30VDC	*
	Display	C	With LCD display	*
		A	Without display	
Extension pipe	Separator	-	Detailed specifications as following	
	Extension pipe length	Q1	None(suitable temperature: -40°C-85°C)	
		Q2	Material: SUS304, length: 50mm, outer diameter:Φ12	*
		Q3	Material: SUS304, length: 100mm, outer diameteΦ12	
		Q4	Material: SUS304, length: 150mm, outer diameterΦ12	
		Q5	Material: SUS304, length: 200mm, outer diameterΦ12	
Process connection	Separator	-	Detailed specifications as following	
	Mounting type	G	Fixed process connection mounting	*
		H	Movable process connection mounting	
	Material	4	SUS304	*
		6	SUS316	
	Specification	M01	M20*1.5(M),GB/T192-2003	*
		G01	G1/2(M), EN837	*
		R01	1/2-14NPT, ANSI/ASME B1.20.1	*
		K01	Tri-Clamp 1-1/2"	*
		K02	Tri-Clamp 2"	*
Insertion probe	Separator	-	Detailed specifications as following	
	Outer diameter	D1	Diameter: 6mm, probe material is same as process connection material	*
		D2	Diameter: 8mm, probe material is same as process connection material	*
		D3	Diameter: 10mm, probe material is same as process connection material	*

For any changes to the specifications of this catalogue.the latest version shall prevail.



Ordering information chapter

		D4	Diameter: 12mm, probe material is same as process connection material		
		D5	Diameter: 16mm, probe material is same as process connection material		
	Insertion length	LXXXX	Customized insertion length: 0 < LXXXX < 3000mm, samples: 80mm=L0080, 150mm=L0150		
Additional options	Separator	-	Detailed specifications as following		
	Electrical connection accessory	/J1	Aviation female plug (straighter) with 2m cable, 4 pin, M12*1, IP67		
		/J2	Aviation female plug (elbow) with 2m cable, 4 pin, M12*1, IP67		
		/J4	Aviation female plug (straighter) without cable, 4 pin, M12*1, IP67		
		/J5	Aviation female plug (elbow) without cable, 4 pin, M12*1, IP67		
	Process connection accessory	/G1	1.5" tri-clamp		*
		/G2	2" tri-clamp		*
		/M1	1.5" seal ring, silicone rubber, operation temperature: -60-200°C		*
		/M2	2" seal ring, silicone rubber, operation temperature: -60-200°C		*
		/Z1	Welding adaptor, Tri-Clamp1-1/2"		*
		/Z2	Welding adaptor, Tri-Clamp2"		*
	Calibration report	/Q1	Calibration report provided by our company		*
	Wetted parts treatment	/G1	Ungrease treatment		
		/G2	Electropolishing treatment		

Factory settings and parameters

Item	Menu mark	Factory setting value
Tag position	None	0(No specific settings)
Analog output type	mA	Liner(No specific settings)
Display mode	DISP	PV(No specific settings)
Alarm signal	ALARM	No(No specific settings)

Item	Menu mark	Factory setting value
Damping value	DAMP	0(No specific settings)
4mA Lower range value	LRV	According to the order
20mA Upper range value	URV	According to the order
Process unit	U	According to the order



SIN JIA ENTERPRISE COMPANY LIMITED

TEL:+886-2-2550-4512

FAX:+886-2-2550-4510

info@sinjiagauge.com

www.sj-gauge.com

No.3, Ln. 71, Chifeng St., Datong Dist., Taipei City 103017, Taiwan

For any changes to the specifications of this catalogue, the latest version shall prevail.